

4" RISER PIPE TO GRADE

4" WELL CAP

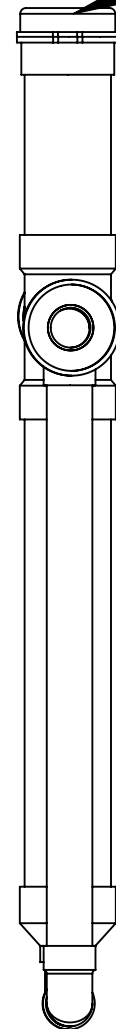
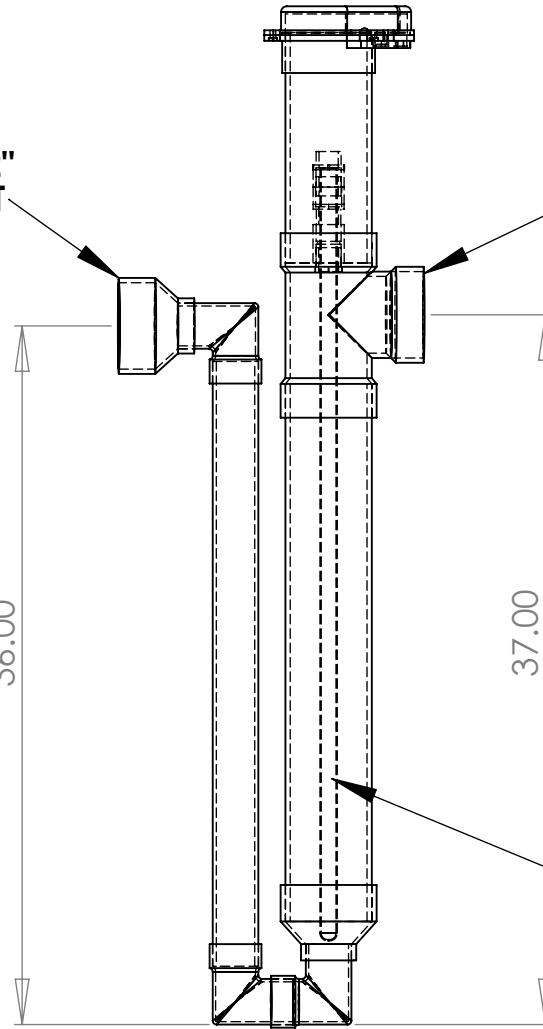
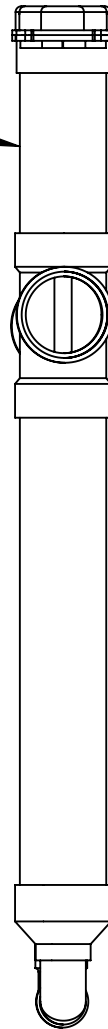
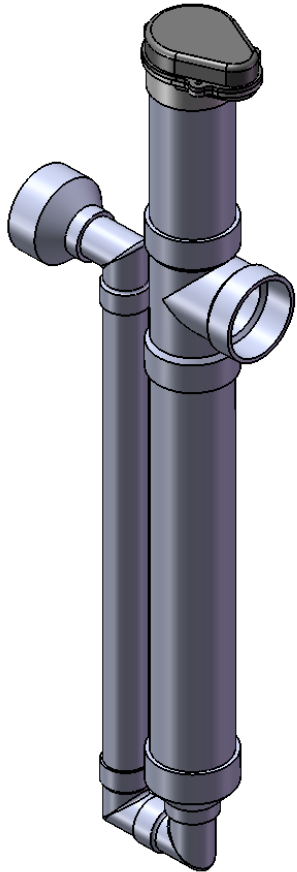
4" OR 2" OUTLET

4" INLET

UV LAMP

36.00

37.00



**PROPRIETARY AND CONFIDENTIAL**  
 THE INFORMATION CONTAINED IN THIS DRAWING IS THE SOLE PROPERTY OF R.P. MANUFACTURING. ANY REPRODUCTION IN PART OR AS A WHOLE WITHOUT THE WRITTEN PERMISSION OF R.P. MANUFACTURING IS PROHIBITED.

		UNLESS OTHERWISE SPECIFIED:	NAME	DATE
		DIMENSIONS ARE IN INCHES	DRAWN	
		TOLERANCES:	CHECKED	
		FRACTIONAL ±	ENG APPR.	
		ANGULAR: MACH ± BEND ±	MFG APPR.	
		TWO PLACE DECIMAL ±	Q.A.	
		THREE PLACE DECIMAL ±	COMMENTS:	
		INTERPRET GEOMETRIC TOLERANCING PER:	<b>FLOW RATE 10 GALLONS A MINUTE</b>	
		MATERIAL		
		FINISH		
NEXT ASSY	USED ON	APPLICATION	DO NOT SCALE DRAWING	

**PATENT PENDING**

TITLE:

**UV-101 SINGLE LAMP**

SIZE	DWG. NO.	REV
<b>A</b>		

SCALE: 1:20	WEIGHT:	SHEET 1 OF 1
-------------	---------	--------------