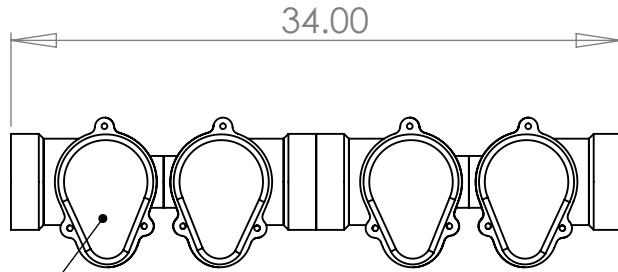
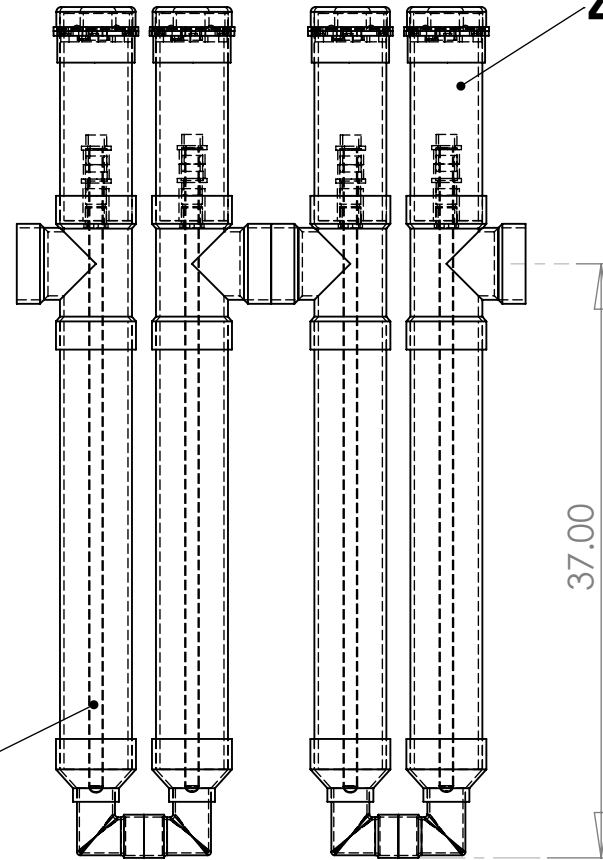


4" WELL CAP



34.00

UV LAMP



4" RISER PIPE TO GRADE

37.00

PROPRIETARY AND CONFIDENTIAL
 THE INFORMATION CONTAINED IN THIS DRAWING IS THE SOLE PROPERTY OF RP MANUFACTURING LLC. ANY REPRODUCTION IN PART OR AS A WHOLE WITHOUT THE WRITTEN PERMISSION OF RP MANUFACTURING LLC IS PROHIBITED.

		UNLESS OTHERWISE SPECIFIED:	NAME	DATE	TITLE: UV-404 FOUR LAMP
		DIMENSIONS ARE IN INCHES TOLERANCES: FRACTIONAL ± ANGULAR: MACH ± BEND ± TWO PLACE DECIMAL ± THREE PLACE DECIMAL ±	DRAWN		
		INTERPRET GEOMETRIC TOLERANCING PER:	CHECKED		
		MATERIAL	ENG APPR.		
		FINISH	MFG APPR.		
NEXT ASSY	USED ON		Q.A.		SIZE DWG. NO. REV
APPLICATION		DO NOT SCALE DRAWING	COMMENTS: FLOW RATE 40 GALLONS A MINUTE		A
			SCALE: 1:20	WEIGHT:	SHEET 1 OF 1

5

4

3

2

1