

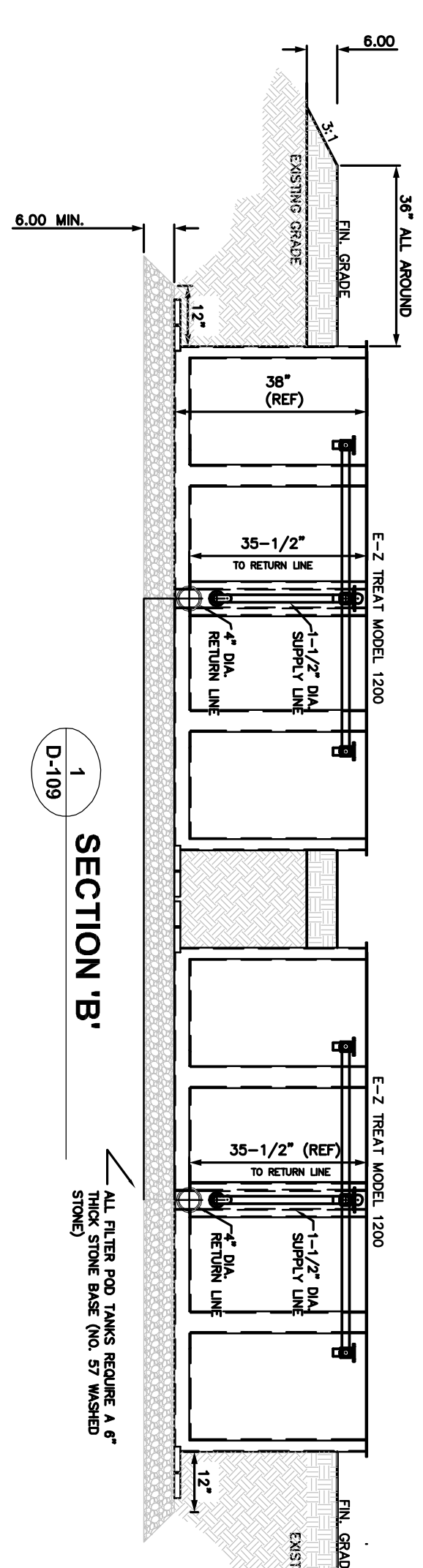
ENGINEER



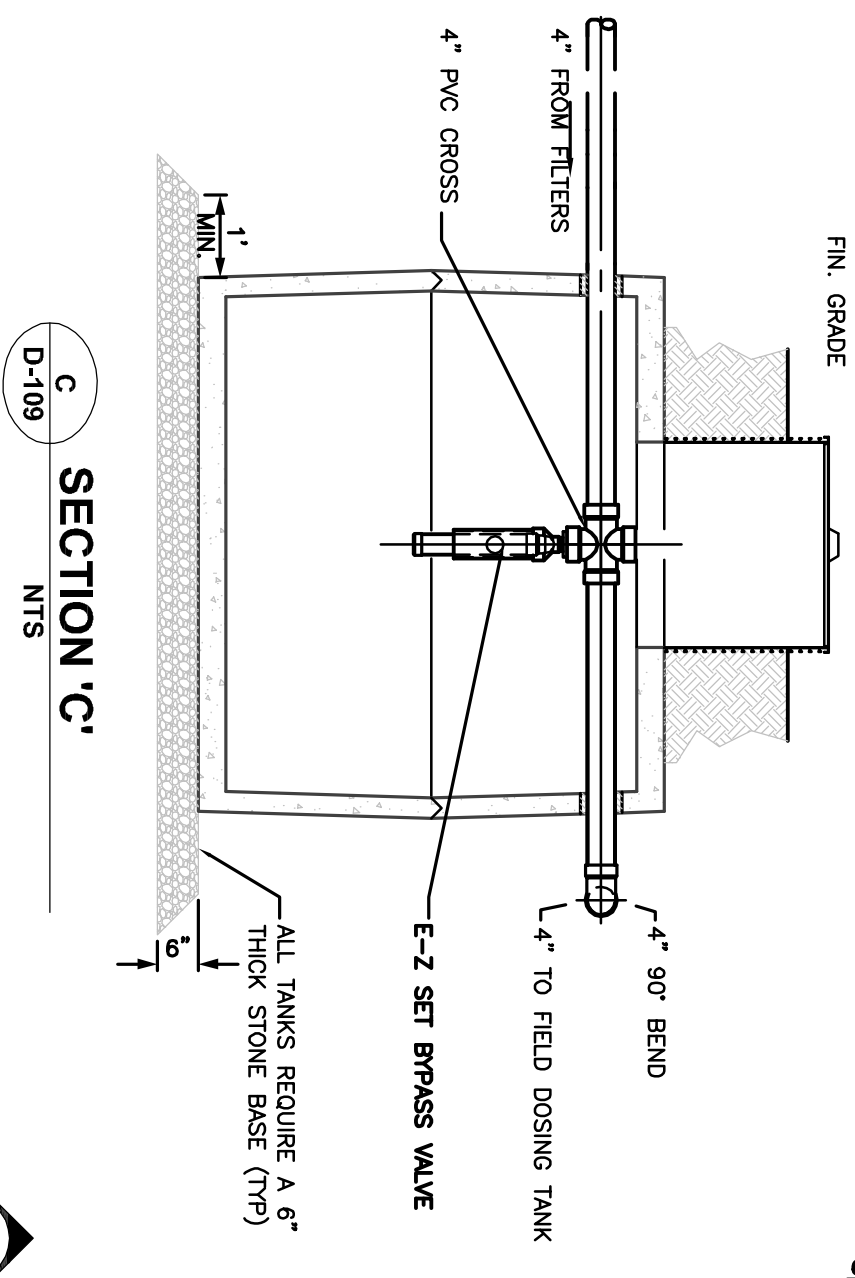
NOTICE: UNDERGROUND UTILITIES LOCATOR IS RESPONSIBLE FOR COORDINATION OF ALL TRADES AND SUBCONTRACTORS. ALL TANKS AND SUBCONTRACTORS FIELD VERIFYING ALL DIMENSIONS, ELEVATIONS, AND LOCATION OF ALL EXISTING CONDITIONS AND UTILITIES.

**GENERAL NOTES:**

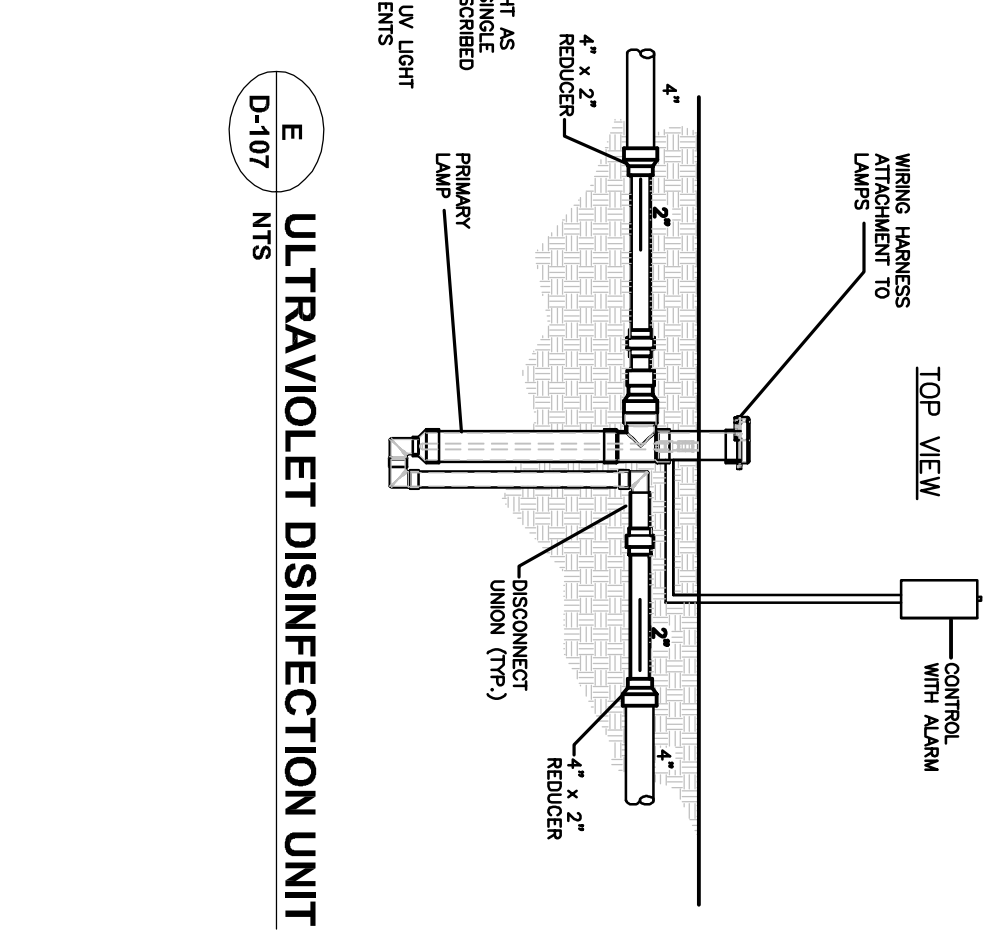
1. ALL PIPING SHALL BE SCH 40 PVC UNLESS OTHERWISE NOTED ON PLANS. ALL PVC PIPES SHALL BE BURIED A MINIMUM OF 18" UNLESS SHOWN OTHERWISE.
2. CONTRACTOR SHALL COMPLY WITH ALL APPLICABLE SOIL EROSION AND SEDIMENTATION CONTROL REQUIREMENTS.
3. CONTRACTOR SHALL COMPLY WITH ALL APPLICABLE OSHA, and OTHER RELATED SAFETY REQUIREMENTS.
4. CONTRACTOR SHALL COMPLY WITH ALL APPLICABLE FEDERAL, STATE, COUNTY, AND LOCAL REGULATIONS. IN EVENT OF DISCREPANCY CONSULT MANUFACTURER AND OF E-2-TREAT INC. AND ENGINEER OF RECORD.
5. SYSTEM DESIGN SHALL BE PERMITTED BY APPLICABLE AUTHORITIES PRIOR TO INSTALLATION.
6. CONTRACTOR SHALL BE RESPONSIBLE FOR REPAIRING ALL ADDITIONAL COST TO THE OWNER.
7. ALL TANKS SHALL HAVE A MINIMUM 28-DAY CONCRETE STRENGTH OF 4500 PSI.
8. TANKS SHALL MEET REINFORCING REQUIREMENTS TO WITHSTAND 15 PSI SURFACE WATER PRESSURE. ALL STEEL REINFORCING WIRE, REBAR OR APPROVED FIBER MAY BE USED.
9. ALL TANKS AND EFFLUENT FILTERS SHALL BE APPROVED BY E-2-TREAT AND ON-SITE WASTEWATER EFFLUENT FILTERS SHALL BE SIZED FOR DESIGN FLOW AND EXTEND DOWN TO 50%-PERCENT OF DESIGN LEVEL.
10. BALL JOINTS (MID-SEAM, TOP-SEAM) SHALL BE SEALED USING CONCRETE SEALANTS BUTYL SEALANT # CS-102 OR EQUAL.
11. TANKS SHALL BE LEAK-TESTED PRIOR TO SYSTEM START AND SHALL BE RE-TESTED AS NECESSARY.
12. ALL PIPE PERMEATIONS THROUGH PRECAST CONCRETE JOINTS SHALL BE REPAIRS-SOL CAL 503-N-SAL 492 RUBBER BOOTS OR EQUAL.
13. THE FILTER POD INVERT OUT SHALL BE 1/4-INCH PER FOOT SLOPE MINIMUM.
14. ALL TANKS MUST MEET STATE OR LOCAL CODES.
15. U.V. SHALL BE INSTALLED AS REQUIRED BY LOCAL AND STATE CODE.



SECTION 'B'  
D-109

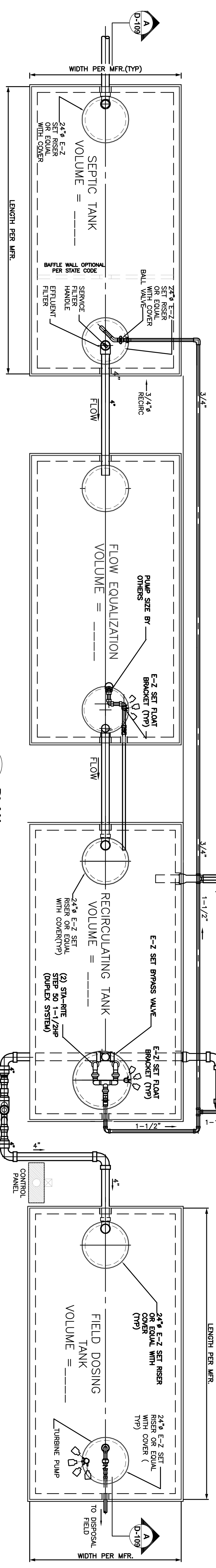


SECTION 'C'  
D-109



ULTRAVIOLET DISINFECTION UNIT  
D-107

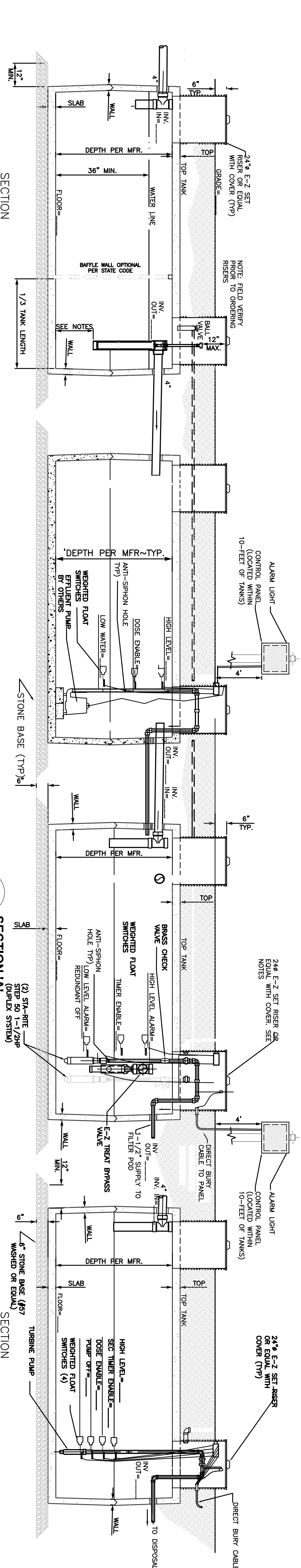
- NOTES:
1. ULTRAVIOLET LIGHT AS SHOWN SHALL BE USED AS PRESCRIBED IN DETAIL.
  2. OPERATION OF UV LIGHT FOR SITE DEMONSTRATION.



PLAN  
D-109

PLAN  
D-109

PLAN  
D-109



SECTION 'A'  
D-109

SECTION

PROJECT	E-2 TREAT SYSTEM TWO MODEL 1200 PODS, FOUR TANK DUPLEX DESIGN SEP. RECIRC. AND DOSE TANKS PLAN AND SECTIONS		
CITY			
COUNTY			
ADDRESS			
DESIGN	P.O. BOX 176 HAYMARKET, VA 20168 PH. 703.763.4770 web: estreal.net		
DRAWN			
APPROVED			
SYSTEM CONFIGURATION	E-2 TREAT SYSTEM TWO MODEL 1200 PODS, FOUR TANK DUPLEX DESIGN SEP. RECIRC. AND DOSE TANKS PLAN AND SECTIONS		
SHEET	1	OF	1
DWG NO.	D.109		

xxxxxxx.dwg