

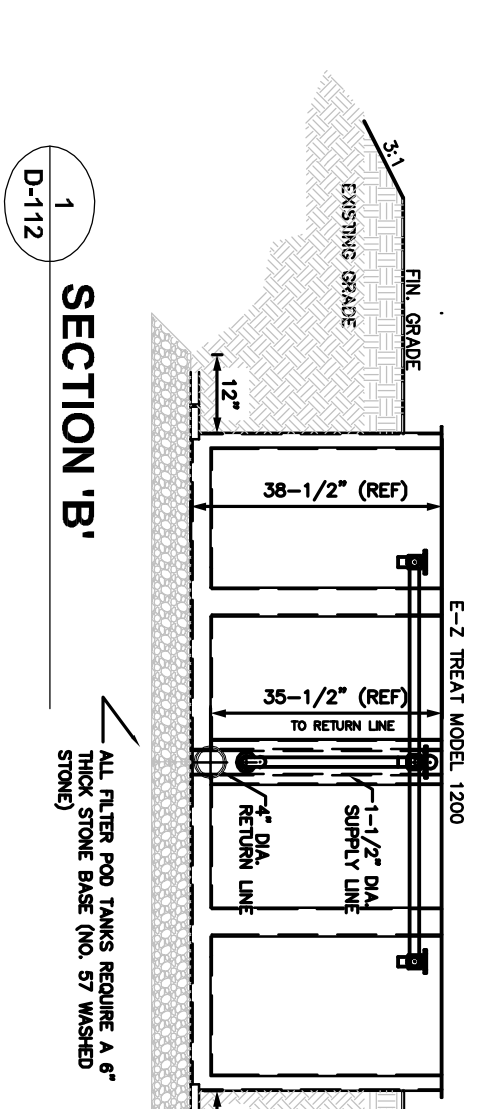
ENGINEER



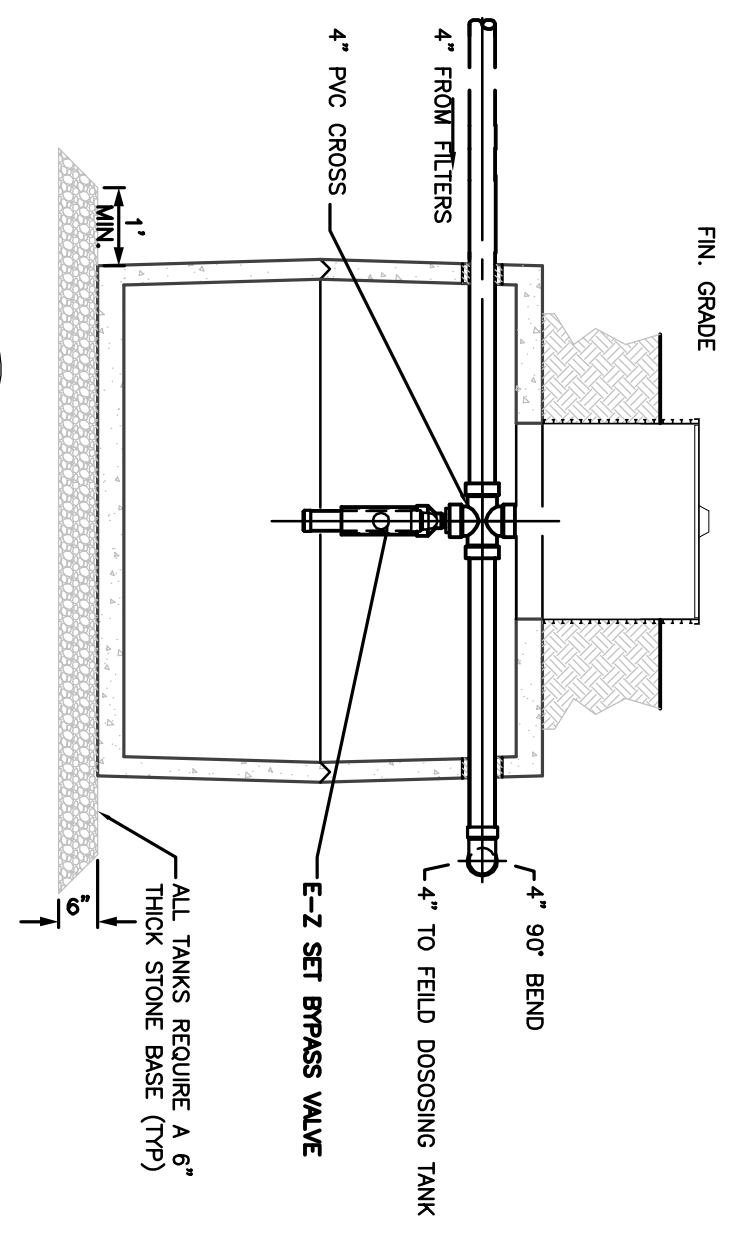
NOTICE: UNDERGROUND UTILITIES LOCATOR IS RESPONSIBLE FOR COORDINATION OF ALL TRADES AND SUBCONTRACTORS. ALL TRADES AND SUBCONTRACTORS SHALL VERIFY ALL DIMENSIONS, ELEVATIONS, AND LOCATION OF ALL EXISTING CONDITIONS AND UTILITIES.

**GENERAL NOTES:**

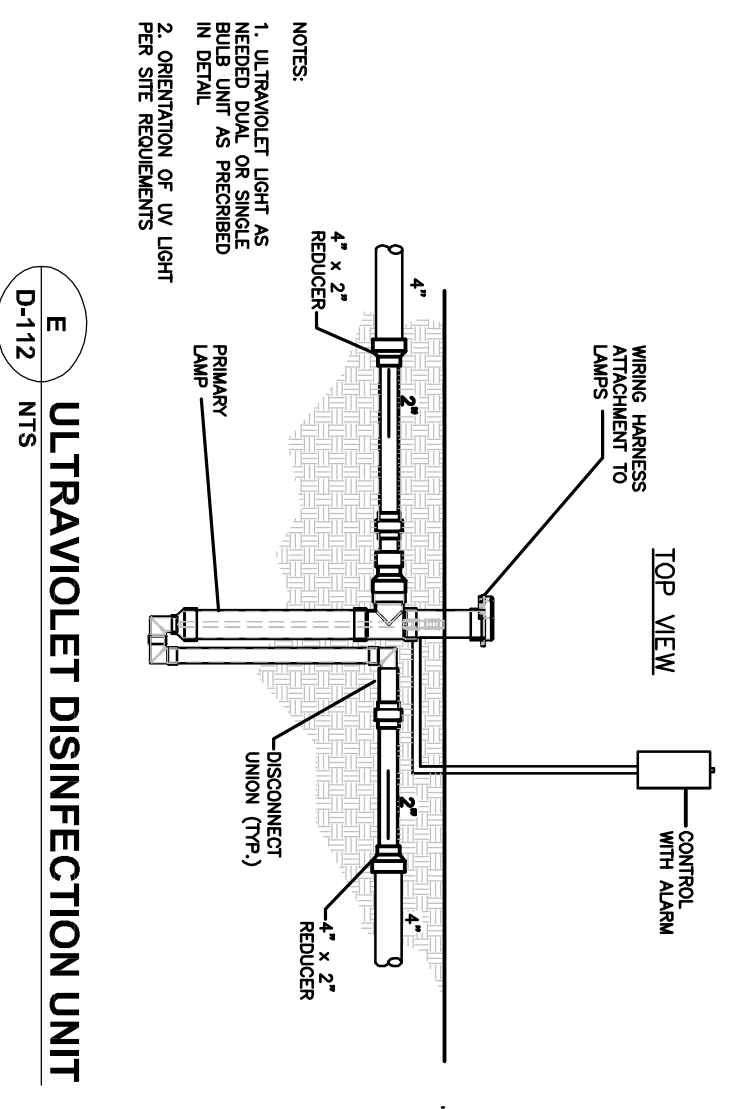
1. ALL PIPING SHALL BE SCH 40 PVC UNLESS OTHERWISE NOTED ON PLANS. ALL PVC PIPES SHALL BE BURIED A MINIMUM OF 18" UNLESS SHOWN OTHERWISE.
2. CONTRACTOR SHALL COMPLY WITH ALL APPLICABLE SOIL EROSION AND SEDIMENTATION CONTROL REQUIREMENTS.
3. CONTRACTOR SHALL COMPLY WITH ALL APPLICABLE OSHA, AND OTHER RELATED SAFETY REQUIREMENTS.
4. CONTRACTOR SHALL COMPLY WITH ALL APPLICABLE FEDERAL, STATE, COUNTY, AND LOCAL REGULATIONS, IN EVENT OF DISCREPANCY CONSULT MANUFACTURERS AND OF E-2-TREAT INC. AND ENGINEER OF RECORD.
5. SYSTEM DESIGN SHALL BE PERMITTED BY APPLICABLE AUTHORITIES PRIOR TO INSTALLATION.
6. CONTRACTOR SHALL BE RESPONSIBLE FOR REPAIRING ALL ADDITIONAL COST TO THE OWNER.
7. ALL TANKS SHALL HAVE A MINIMUM 28-DAY CONCRETE STRENGTH OF 4500 PSI.
8. TANKS SHALL MEET REINFORCING REQUIREMENTS TO WITHSTAND ALL LOADS PER LOCAL CODES AND AS NOTED.
9. ALL TANKS AND EFFLUENT FILTERS SHALL BE APPROVED BY E-2-TREAT AND ON-SITE WASTEWATER EFFLUENT FILTERS SHALL BE SIZED FOR DESIGN FLOW AND EXTEND DOWN TO 50-PERCENT OF LIDED LEVEL.
10. ALL JOINTS (JUD-SEAM, TOP-SEAM) SHALL BE SEALED USING CONCRETE SEALANTS BUTL SEALANT # CS-102 OR EQUAL.
11. TANKS SHALL BE LEAK-TESTED PRIOR TO SYSTEM START AND ALL LEAKS SHALL BE REPAIRED AND AS REQUIRED BY LOCAL REGULATORY AUTHORITY.
12. ALL PIPE PENETRATIONS THROUGH PRECAST CONCRETE TANKS SHALL BE PRESS-SEAL CS-3-N-SAL 992 IN NUMBER BOOTS OR EQUAL.
13. THE FILTER POD INVERT OUT SHALL BE 1/4-INCH PER FOOT SLOPE MINIMUM.
14. ALL TANKS MUST MEET STATE OR LOCAL CODES.
15. U.V. SHALL BE INSTALLED AS REQUIRED BY LOCAL AND STATE CODE.



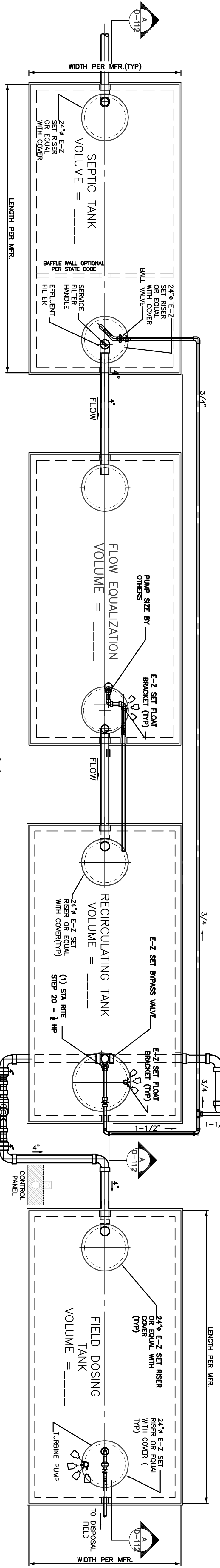
SECTION B:  
E-2 TREAT MODEL 1200  
ALL FILTER POD TANKS REQUIRE A 6" THICK STONE BASE (TYP) AS SHOWN



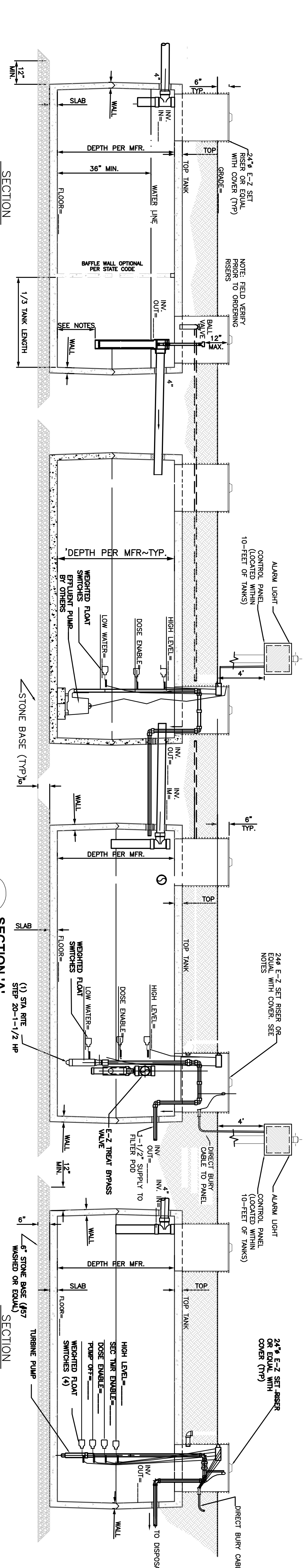
SECTION C:  
E-2 SET BRASS VALVE  
ALL TANKS REQUIRE A 6" THICK STONE BASE (TYP)



SECTION E:  
ULTRAVIOLET DISINFECTION UNIT



PLAN  
OPTIONAL UV-SEE DETAIL



SECTION A:  
OPTIONAL UV-SEE DETAIL

|                             |  |                |         |
|-----------------------------|--|----------------|---------|
| <b>PROJECT</b>              | CITY   | COUNTY/ADDRESS | ADDRESS |
| <b>DESIGN</b>               | P.O. BOX 176<br>HAYMARKET, VA 20168<br>PH. 703.763.4770<br>web: estreat.net  |                |         |
| <b>DRAWN</b>                |  |                |         |
| <b>APPROVED</b>             |  |                |         |
| <b>SYSTEM CONFIGURATION</b> | E-2 TREAT SYSTEM<br>ONE MODEL 1200 POD,<br>FOUR TANK SIMPLEX<br>DESIGN<br>SEP. RECIRC. AND DOSE TANKS<br>PLAN AND SECTIONS |                |         |
| <b>SHEET</b>                | 1  | OF             | 1       |
| <b>DWG NO.</b>              | D112   |                |         |