

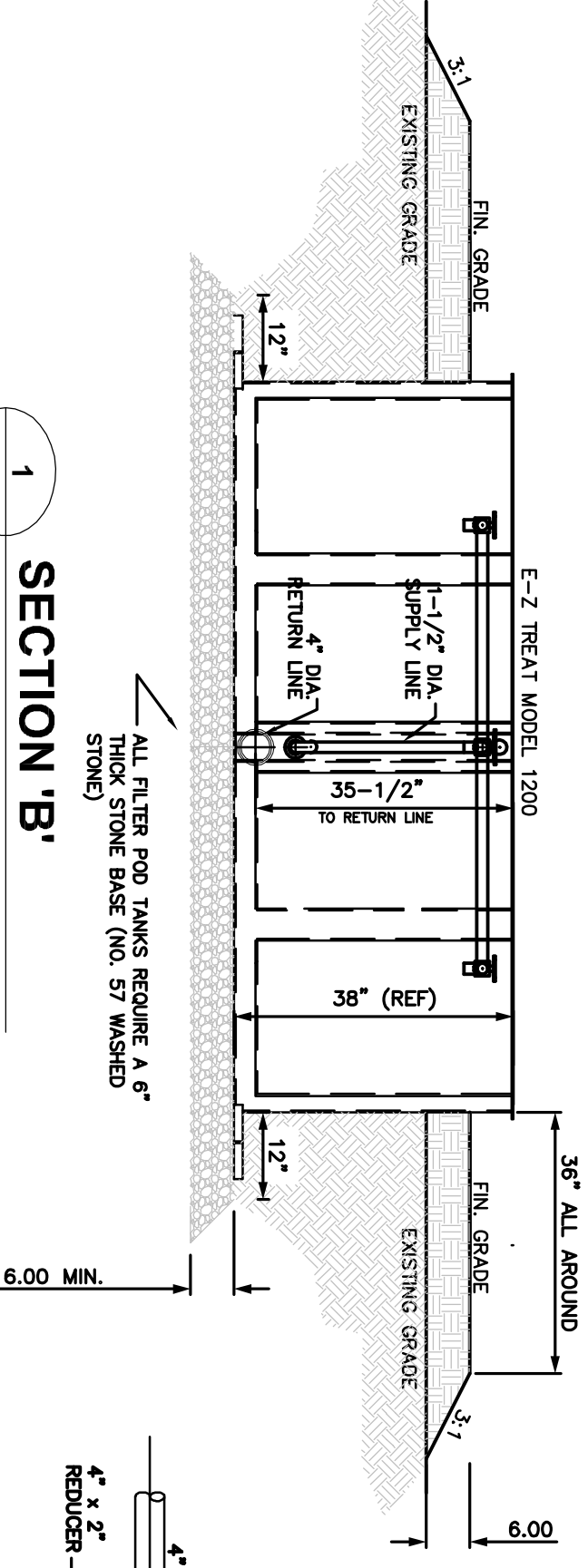
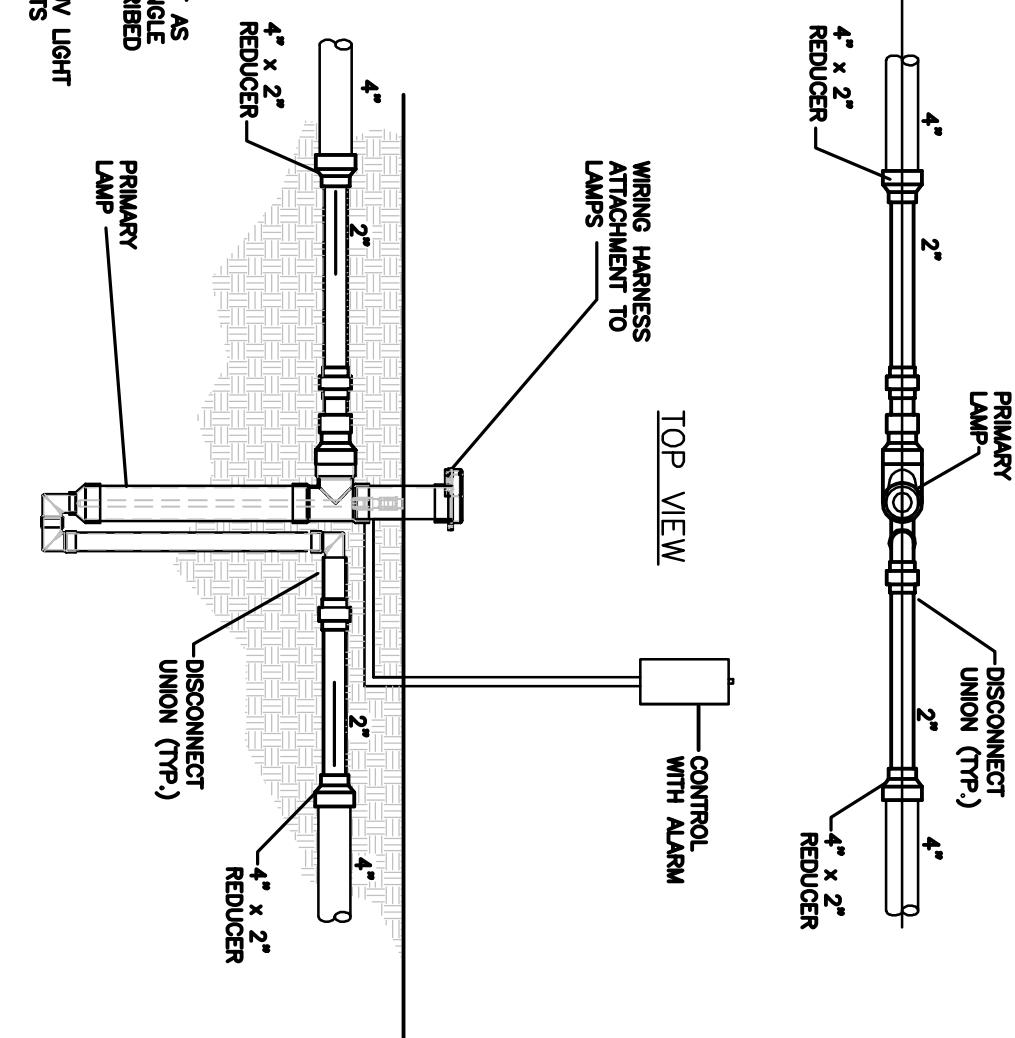


NOTIFY UNDERGROUND UTILITIES LOCATOR PRIOR TO ANY EXCAVATION. CONTRACTOR IS RESPONSIBLE FOR COORDINATION OF ALL TRAVEL AND SUBCONTRACTORS. CONTRACTOR SHALL VERIFY ALL DIMENSIONS, ELEVATIONS, AND LOCATION OF ALL EXISTING CONDITIONS AND UTILITIES.

**GENERAL NOTES:**

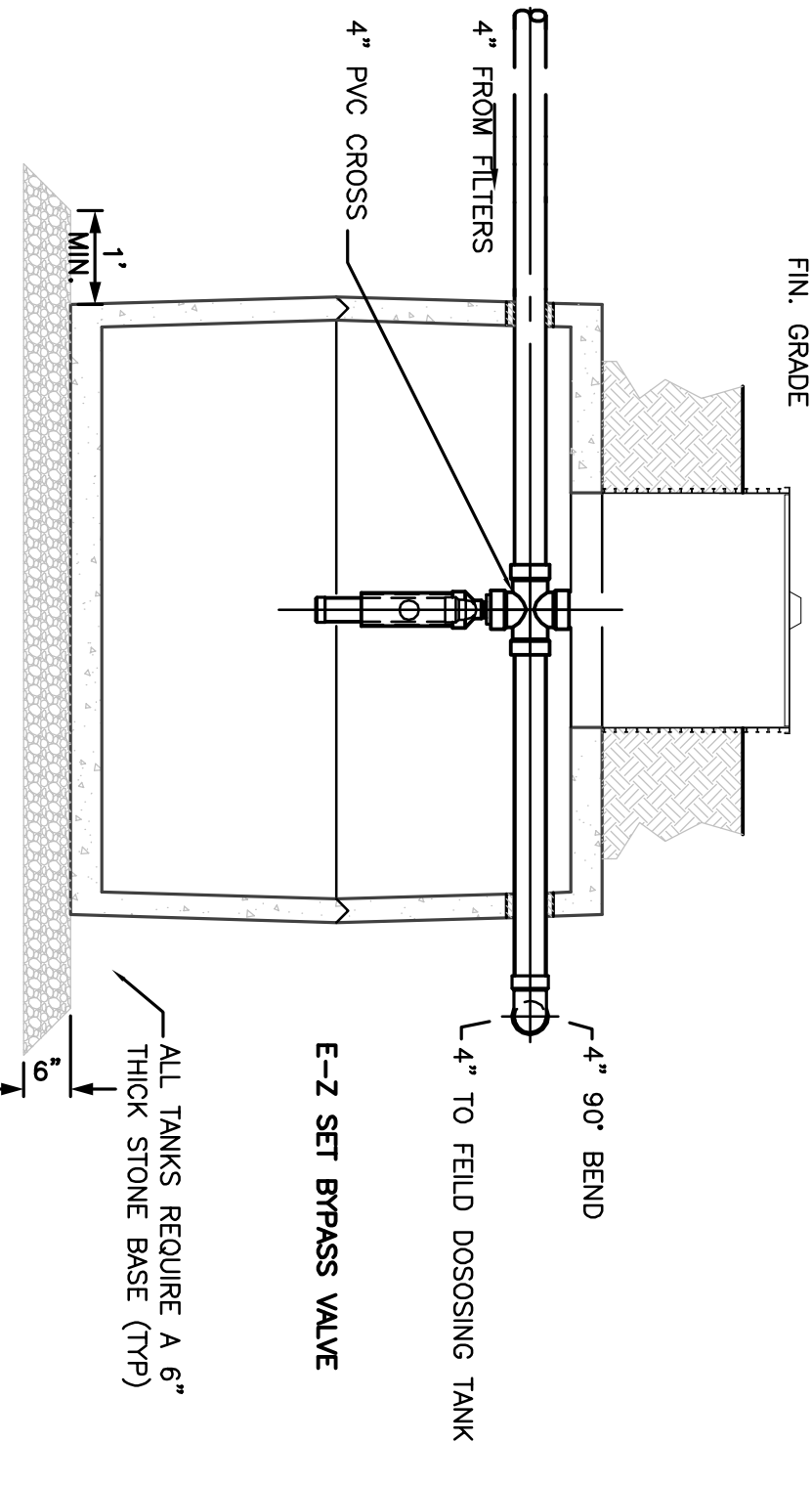
1. ALL PIPING SHALL BE SCH 40 PVC UNLESS OTHERWISE NOTED ON PLANS. ALL PVC PIPES SHALL BE BURIED A MINIMUM OF 18" UNLESS SHOWN OTHERWISE.
2. CONTRACTOR SHALL COMPLY WITH ALL APPLICABLE SOIL EROSION AND SEDIMENTATION CONTROL REQUIREMENTS.
3. CONTRACTOR SHALL COMPLY WITH ALL APPLICABLE OSHA, AND OTHER RELATED SAFETY REQUIREMENTS.
4. CONTRACTOR SHALL COMPLY WITH ALL APPLICABLE FEDERAL, STATE, COUNTY, AND LOCAL REGULATIONS, IN EVENT OF DISCREPANCY CONSULT MANUFACTURERS AND OF E-Z-TREAT INC. AND ENGINEER OF RECORD.
5. SYSTEM DESIGN SHALL BE PERMITTED BY APPLICABLE AUTHORITIES PRIOR TO INSTALLATION.
6. CONTRACTOR SHALL BE RESPONSIBLE FOR REPAIRING ALL ADDITIONAL COST TO THE OWNER.
7. ALL TANKS SHALL HAVE A MINIMUM 28-DAY CONCRETE STRENGTH OF 4500 PSI.
8. TANKS SHALL MEET REINFORCING REQUIREMENTS TO WITHSTAND MINIMUM 15 PSI WATER PRESSURE. ALL STEEL REINFORCING WIRE, REBAR OR APPROVED FIBER MAY BE USED.
9. ALL TANKS AND EFFLUENT FILTERS SHALL BE APPROVED BY E-Z-TREAT AND ON-SITE WASTEWATER EFFLUENT FILTERS SHALL BE SIZED FOR DESIGN FLOW AND EXTEND DOWN TO 50%-HEIGHT OF LIQUID LEVEL.
10. BALL JOINTS (JUD-SEAM, TOP-SEAM) SHALL BE SEALED USING CONCRETE SEALANTS BOUTI SEALANT # CS-142 OR EQUAL.
11. TANKS SHALL BE LEAK-TESTED PRIOR TO SYSTEM START AND AS REQUIRED BY LOCAL REGULATORY AUTHORITY.
12. ALL PIPE PENETRATIONS THROUGH PRECAST CONCRETE TANKS SHALL BE PRESS-SOUL CS-142 SEAL, 902 RUBBER BOOTS OR EQUAL.
13. THE FILTER POD INVERT OUT SHALL BE 1/4-INCH PER FOOT SLOPE MINIMUM.
14. ALL TANKS MUST MEET STATE OR LOCAL CODES.
15. U.V. SHALL BE INSTALLED AS REQUIRED BY LOCAL AND STATE CODE.

**E ULTRAVIOLET DISINFECTION UNIT**

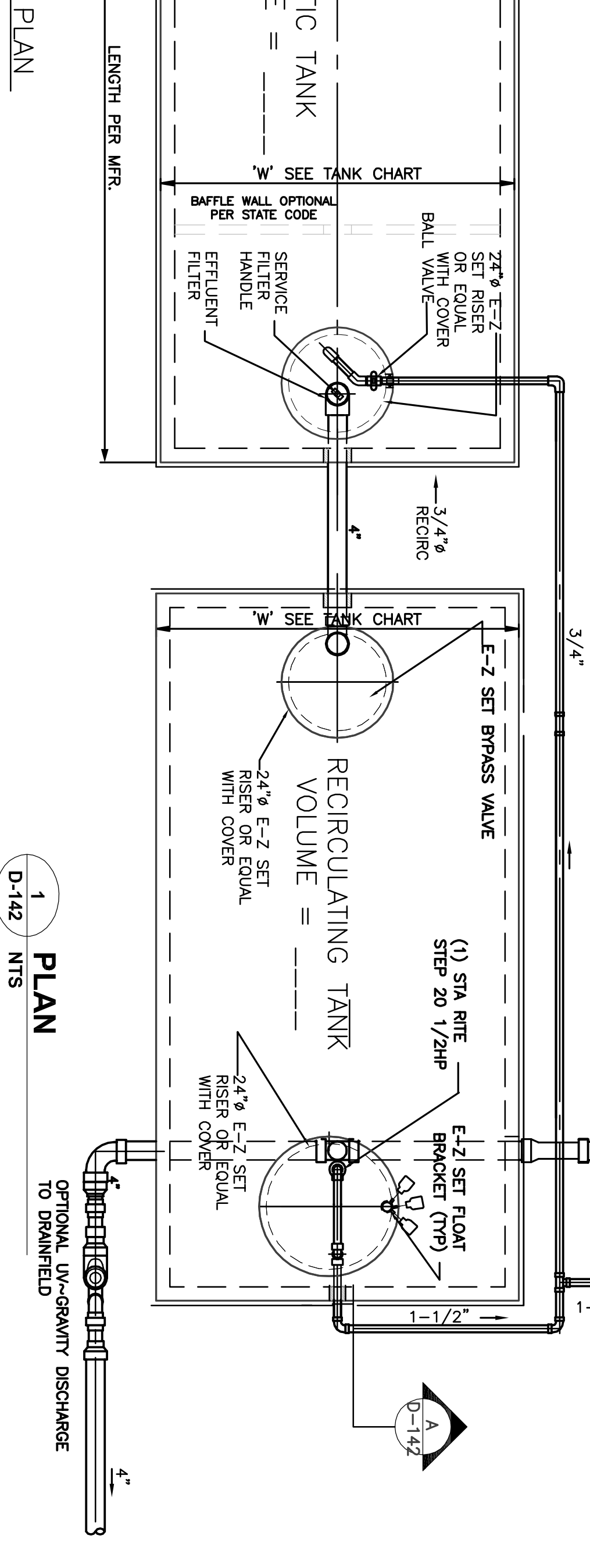


**1 SECTION 'B'**

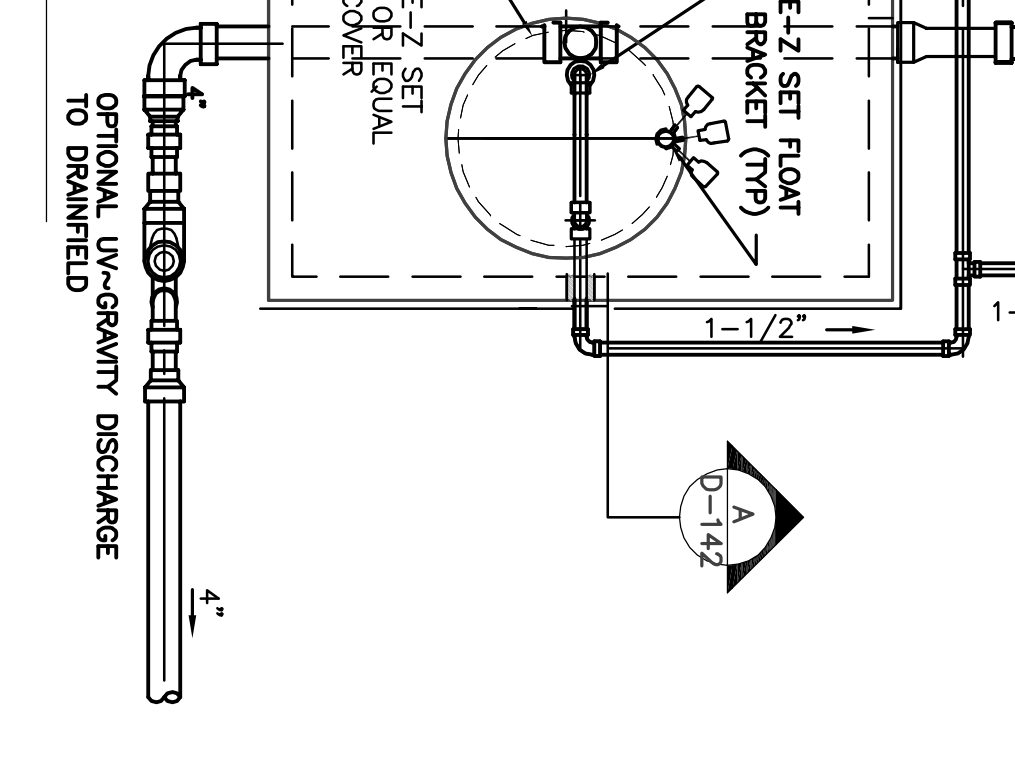
**C SECTION 'C'**



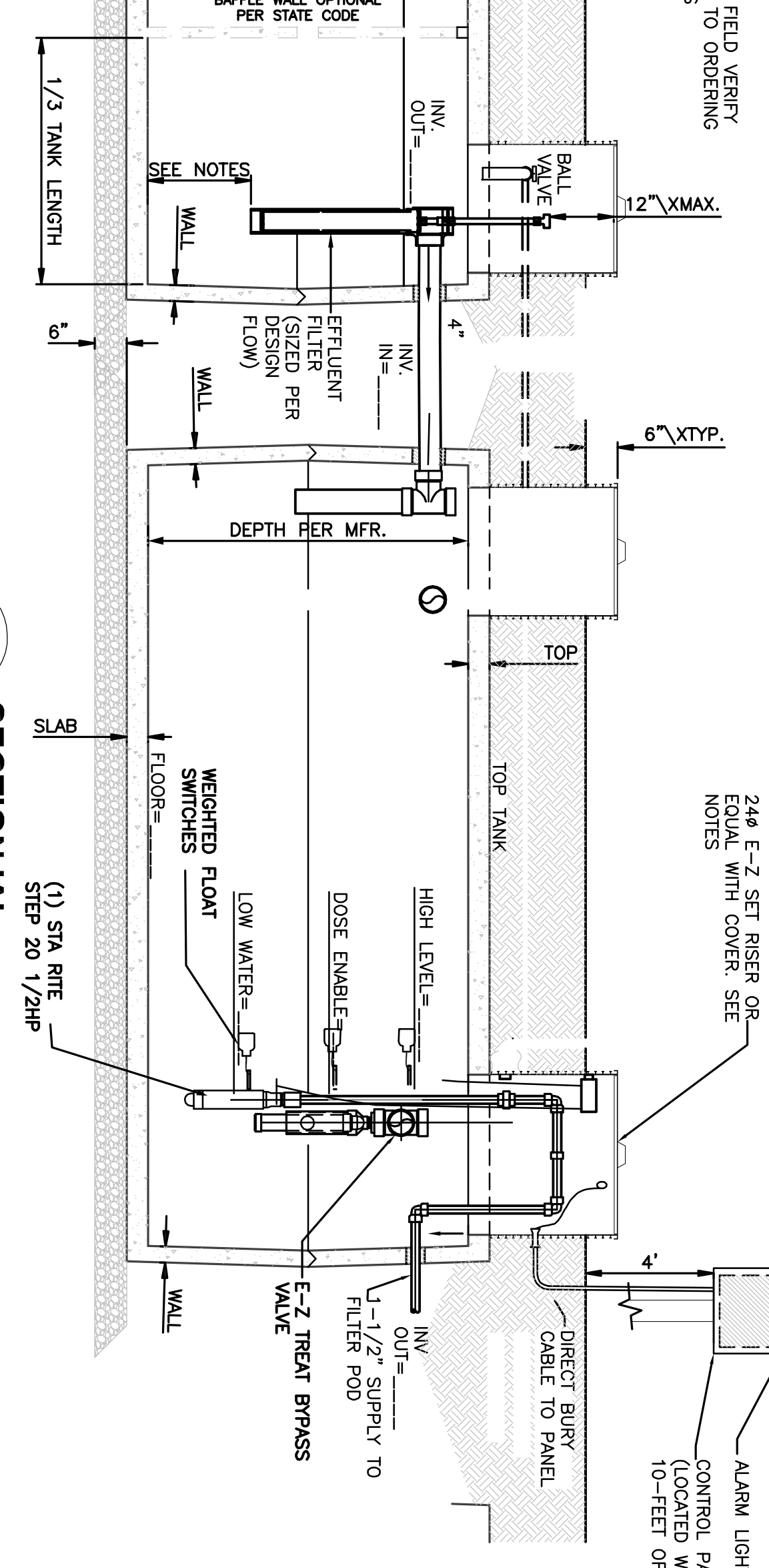
**1 PLAN**



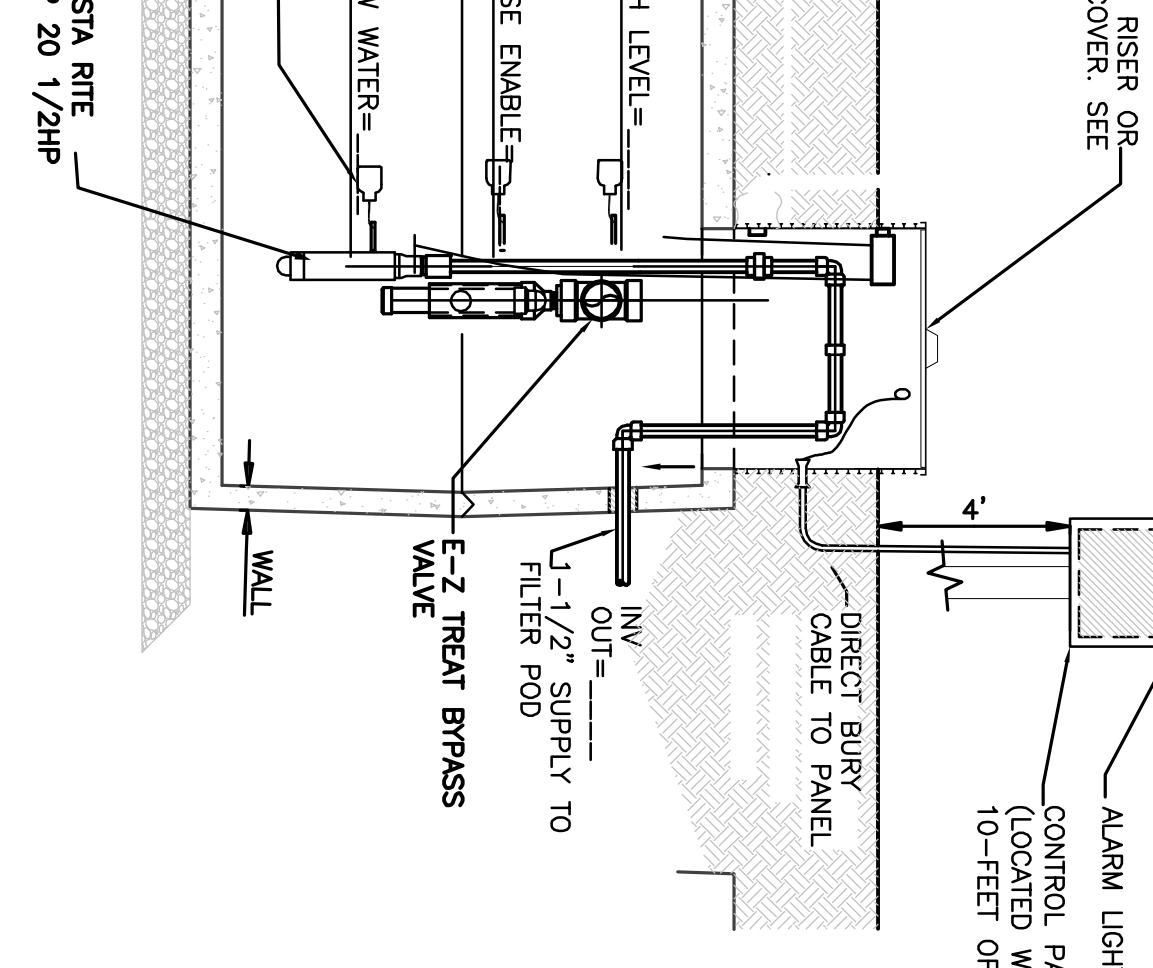
**1 PLAN**



**SECTION**



**A SECTION 'A'**



ENGINEER

PROJECT	
CITY	
COUNTY	
ADDRESS	
DESIGN	
DRAWN	
APPROVED	
SYSTEM CONFIGURATION	
<p><b>E-Z TREAT SYSTEM</b>  <b>POD, TWO TANK</b>  <b>SIMPLEX DESIGN</b>  <b>WITH OPTIONAL UV</b>  <b>GRAVITY FEED</b></p>	
<p>SHEET <b>1</b> OF <b>1</b></p>	
<p>DWG NO. D142</p>	

P.O. BOX 176  
HAYMARKET, VA 20168  
PH. 703.763.4770  
web: ezreat.net