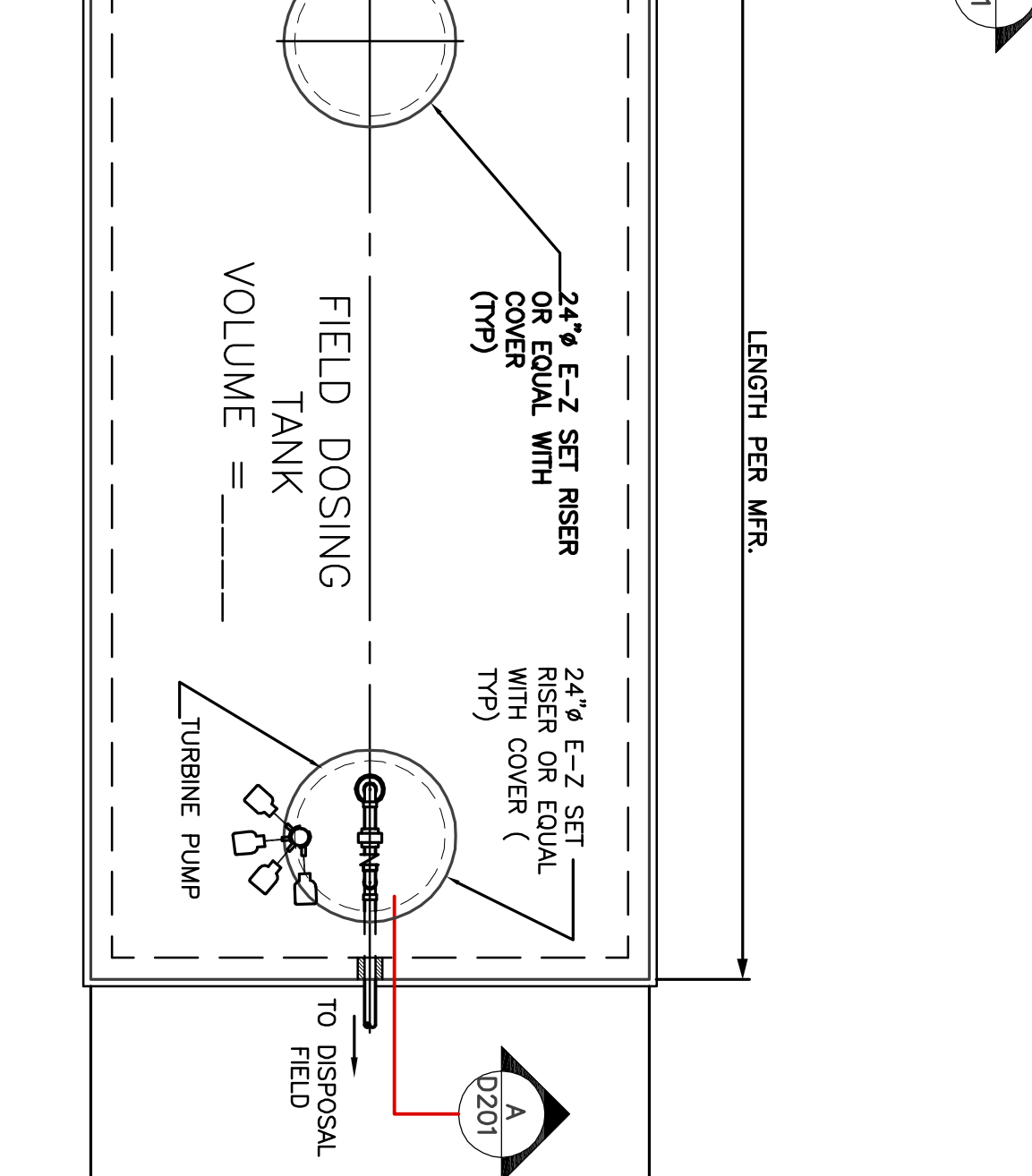
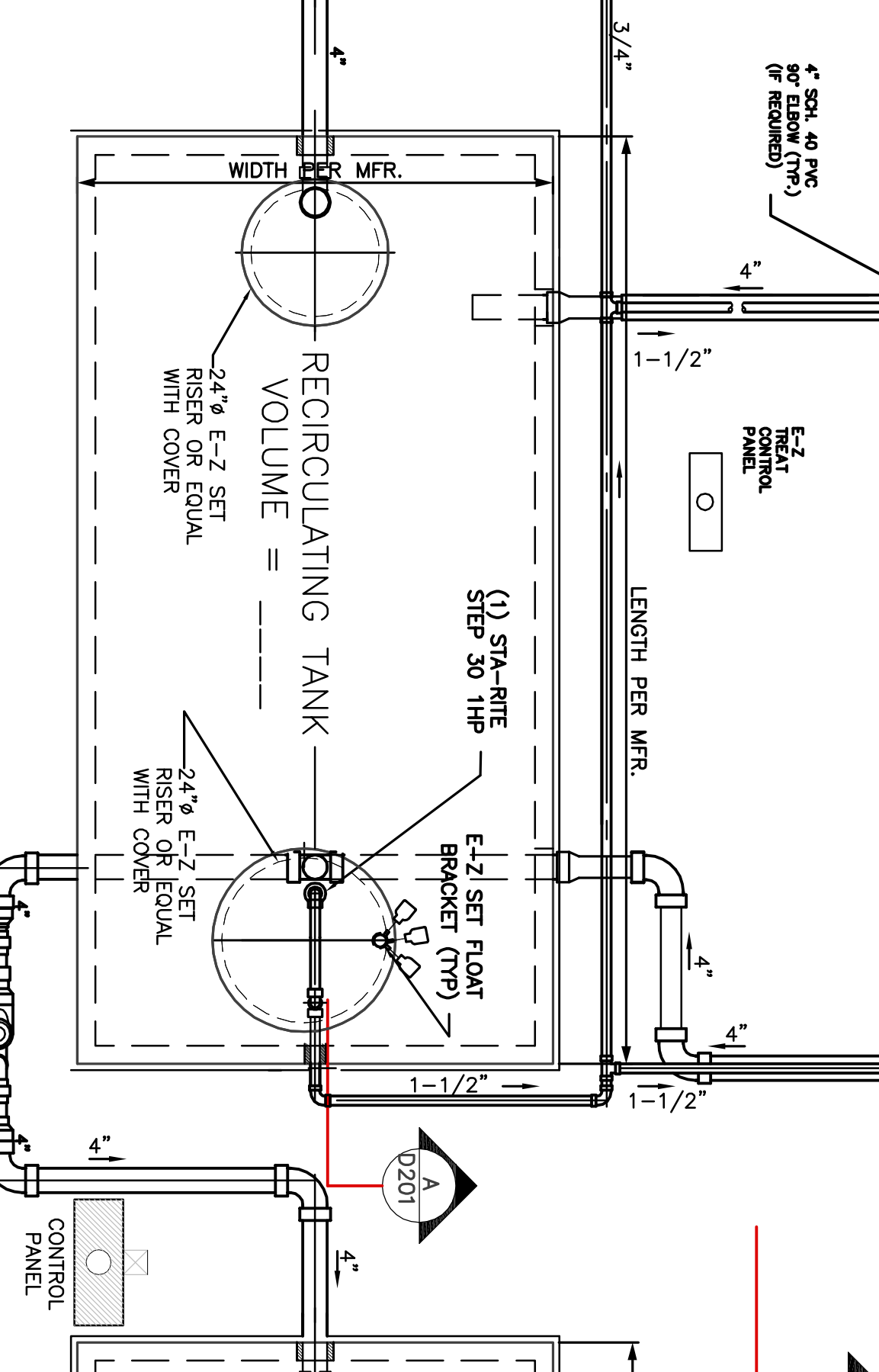
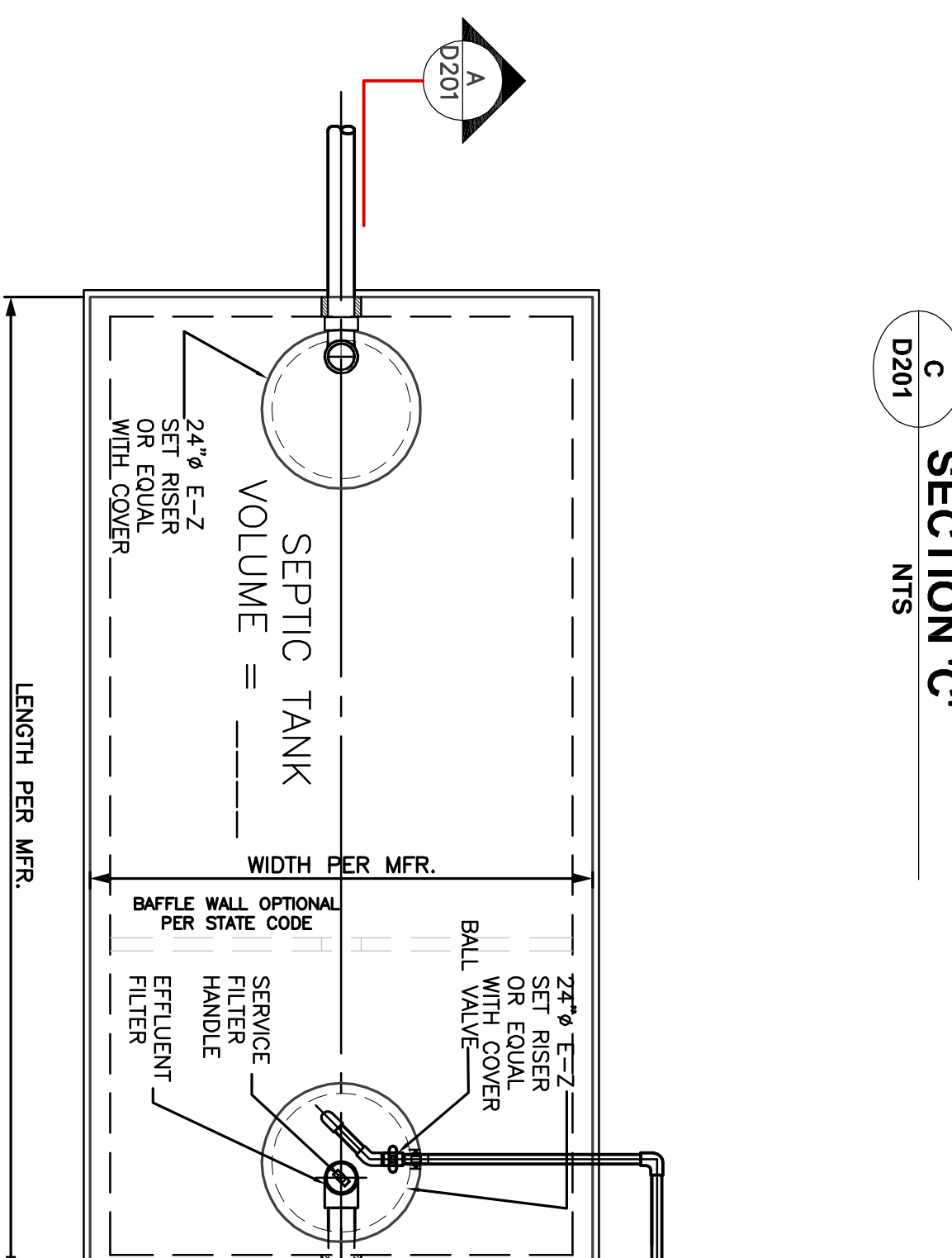
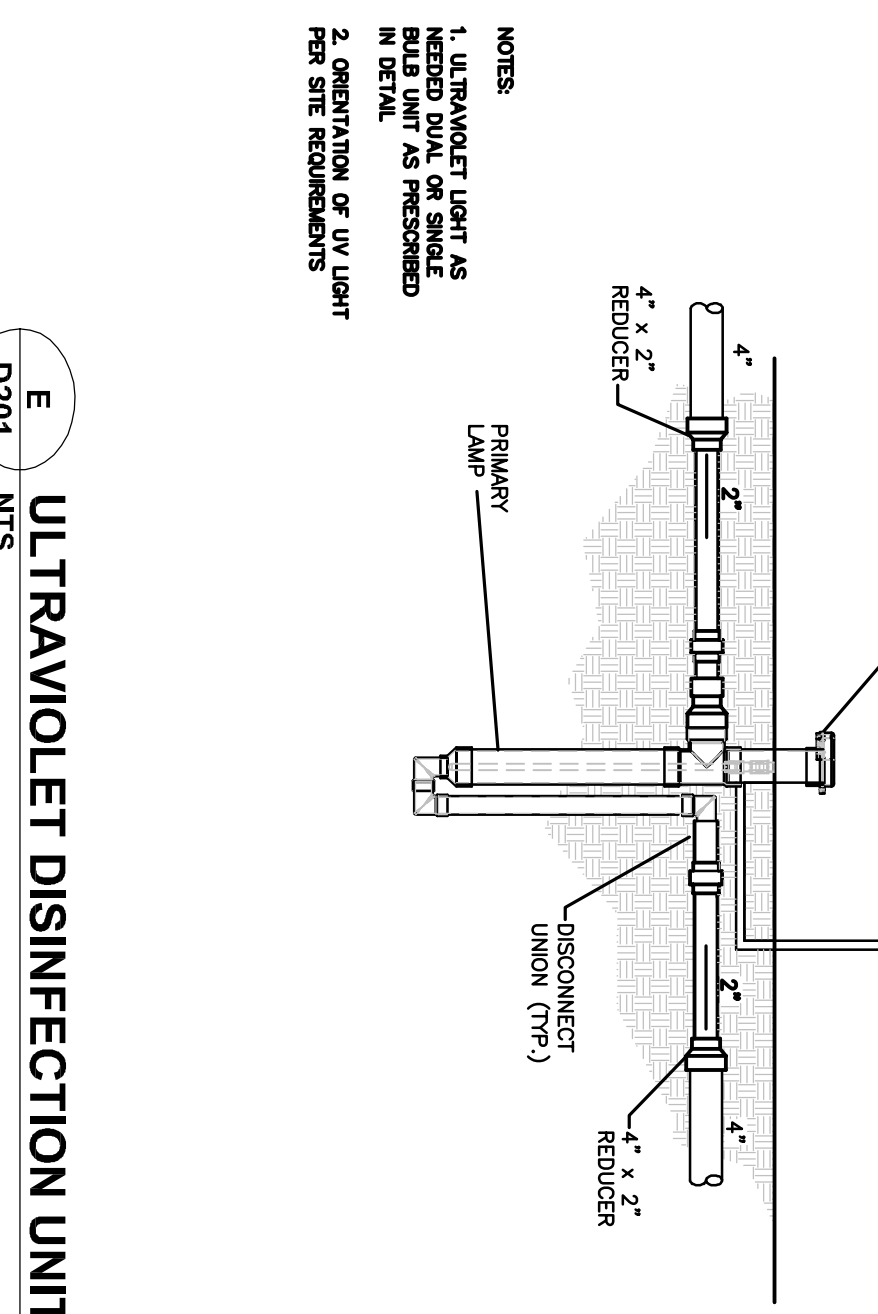
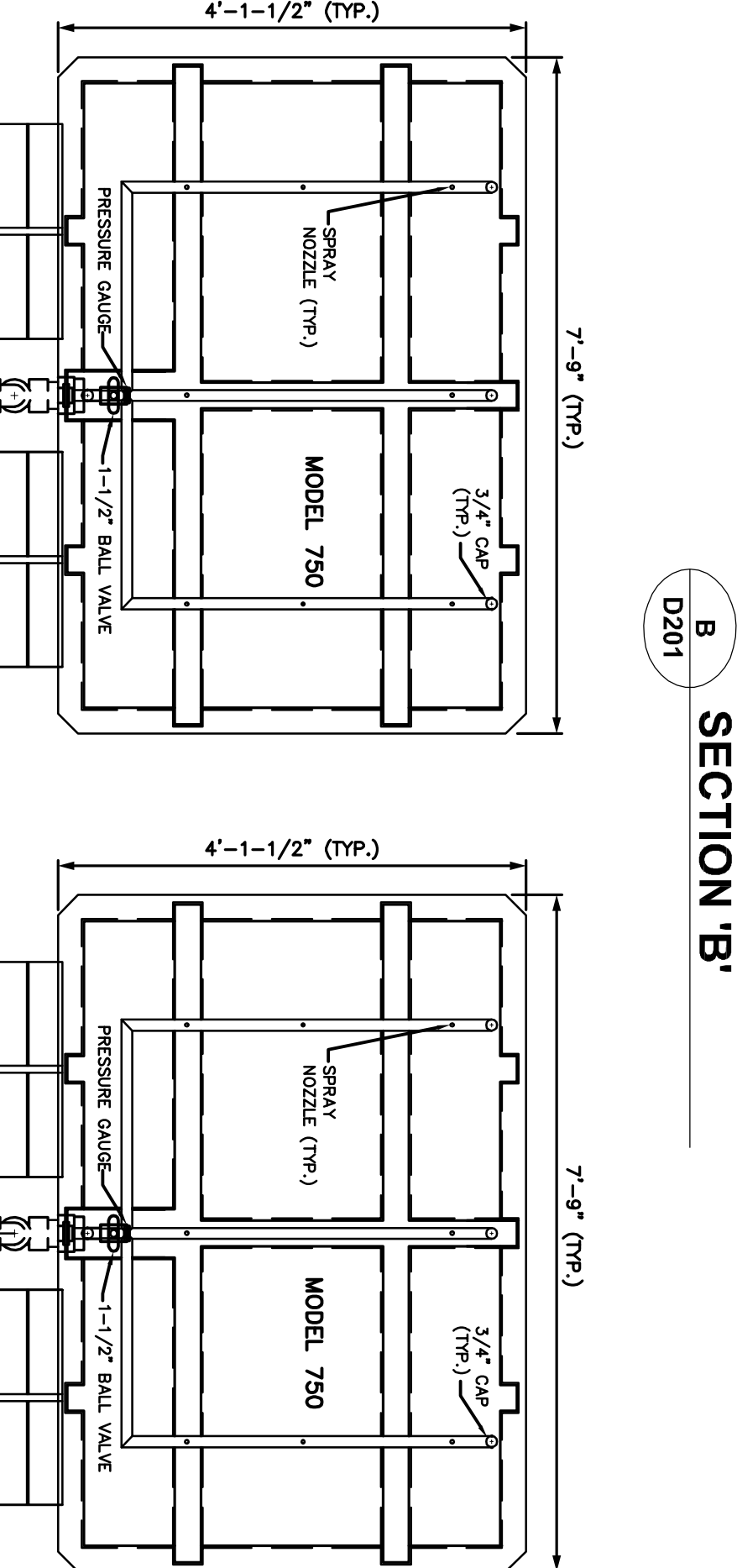
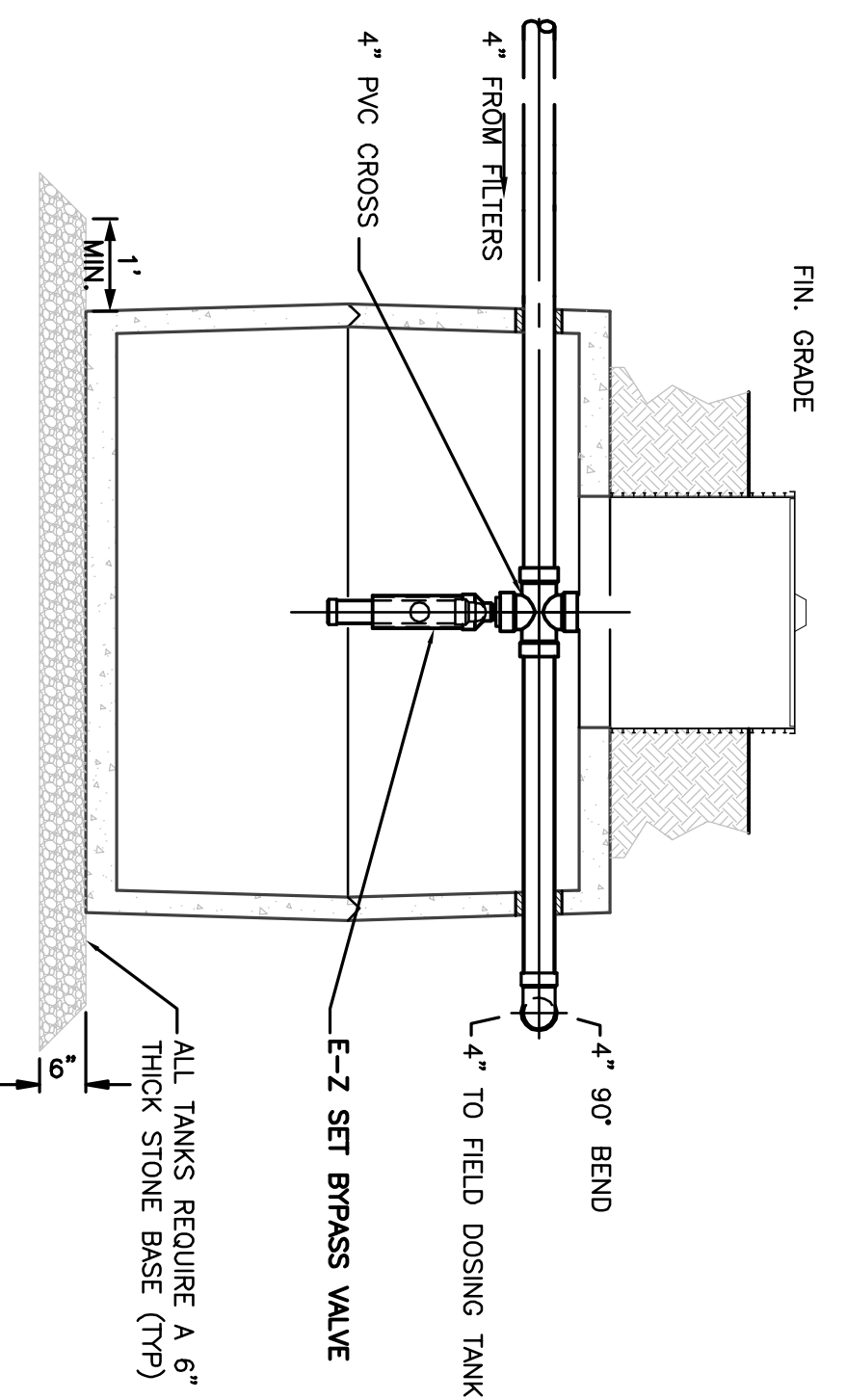
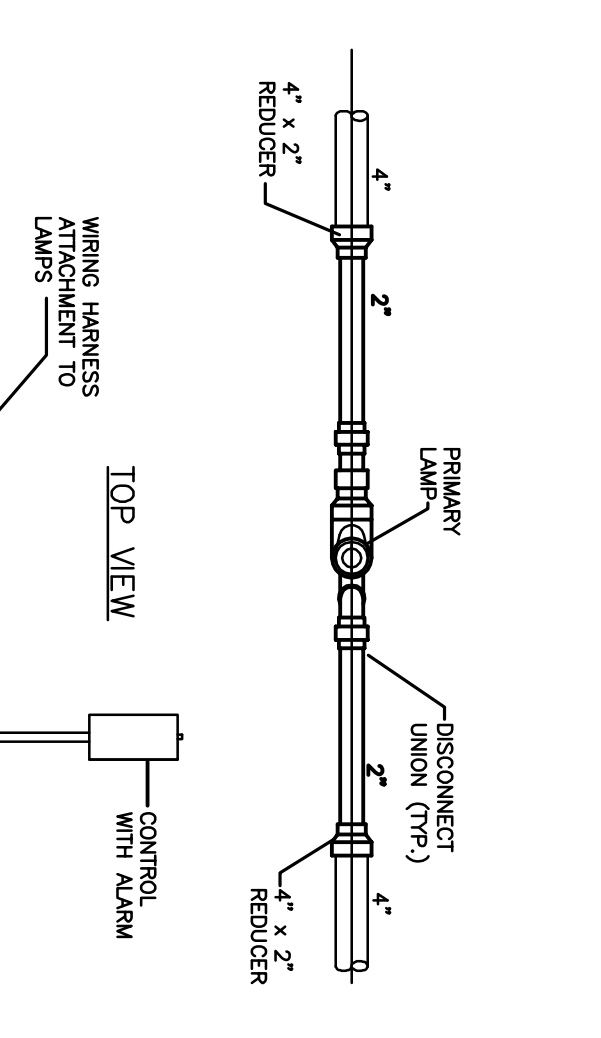
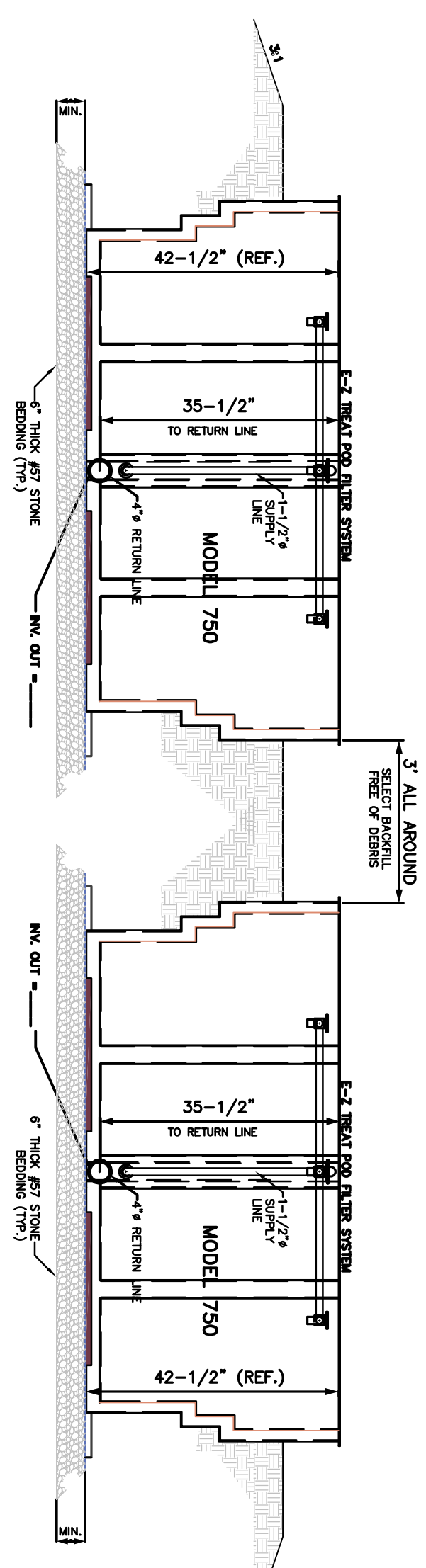




NOTIFY UNDERGROUND UTILITIES LOCATOR PRIOR TO ANY EXCAVATION. CONTRACTOR IS RESPONSIBLE FOR COORDINATION OF ALL FIELD WORK. CONTRACTOR IS RESPONSIBLE FOR VERIFYING ALL DIMENSIONS, ELEVATIONS, CONDITIONS AND UTILITIES.

GENERAL NOTES:

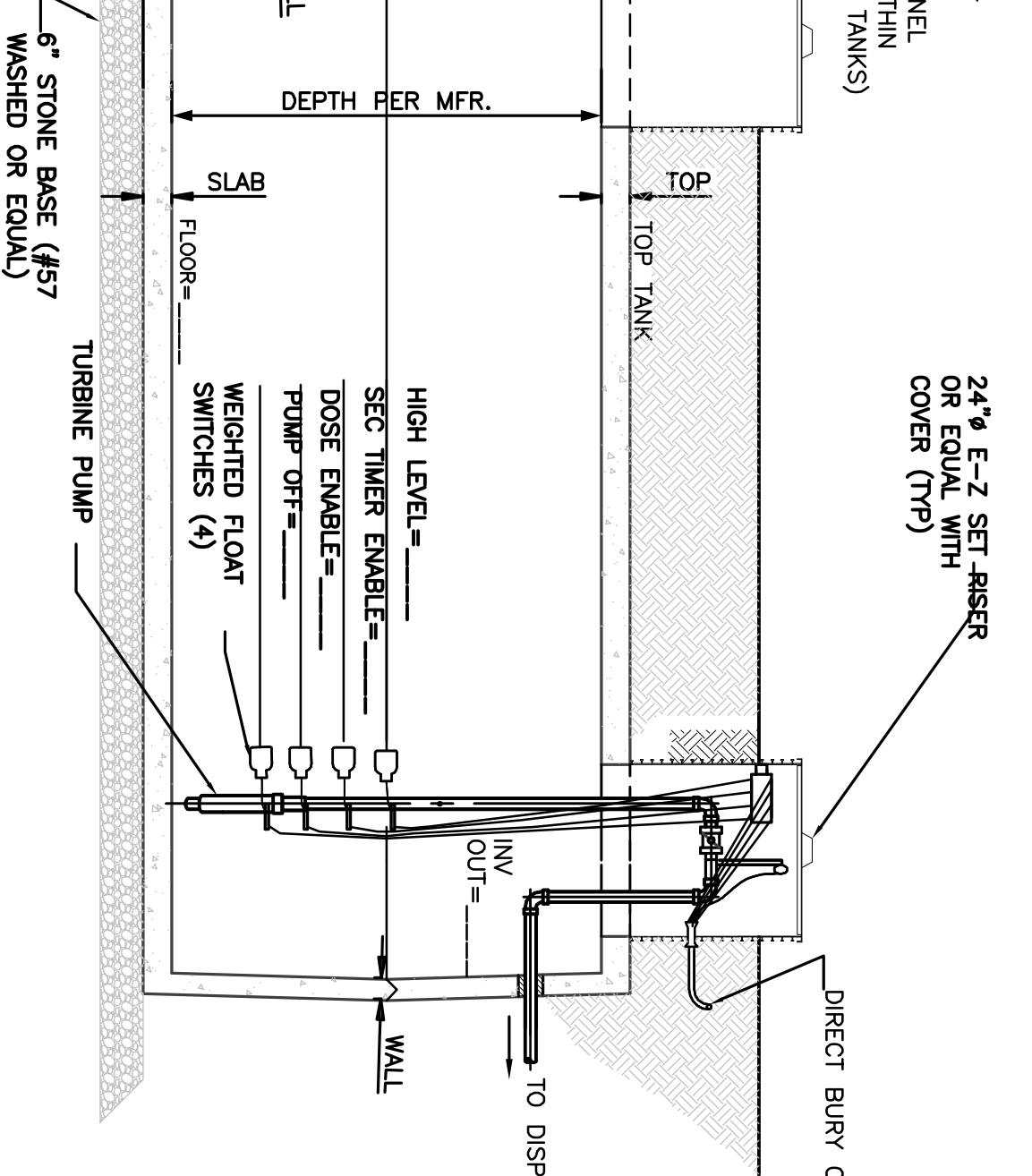
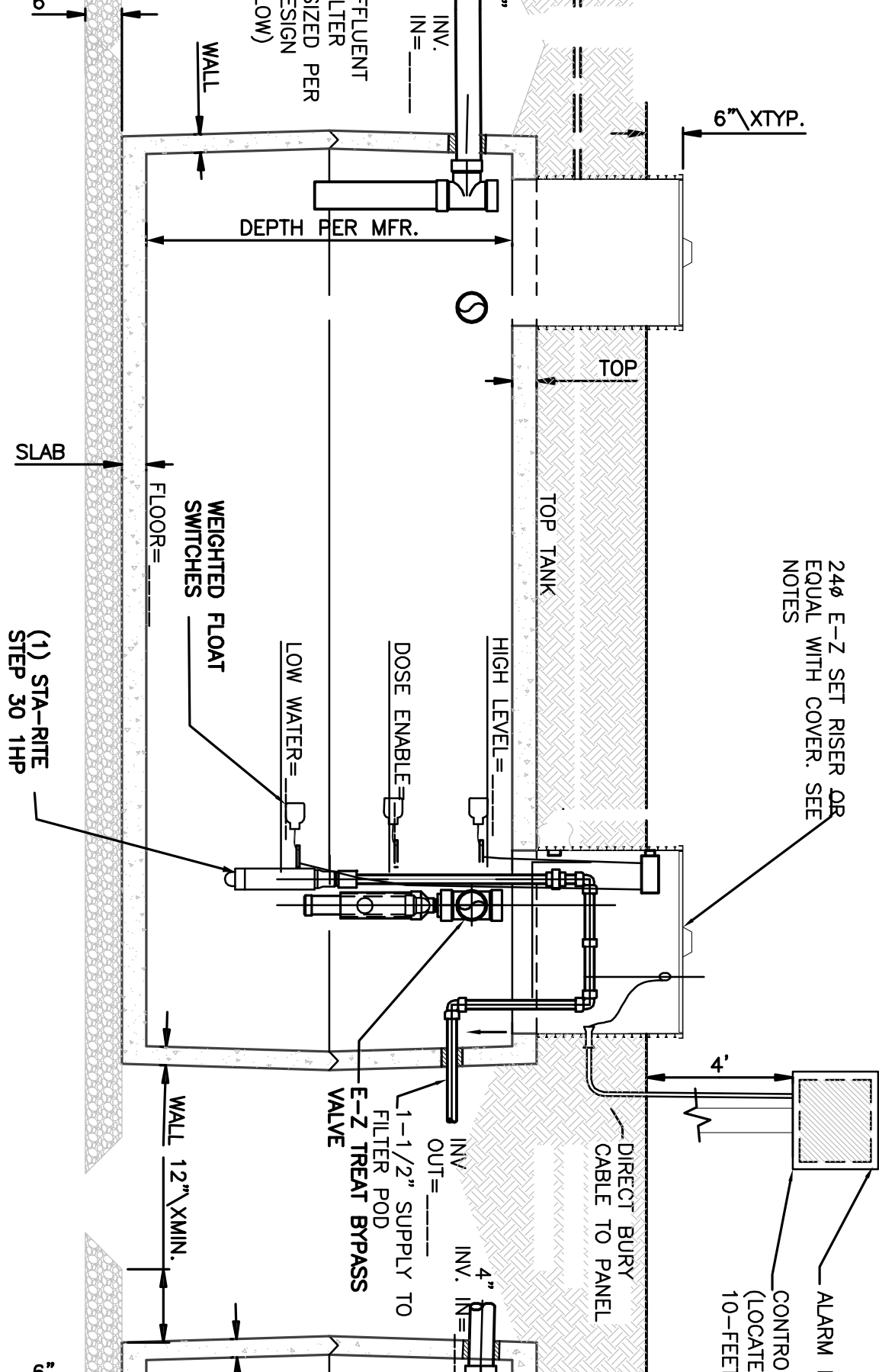
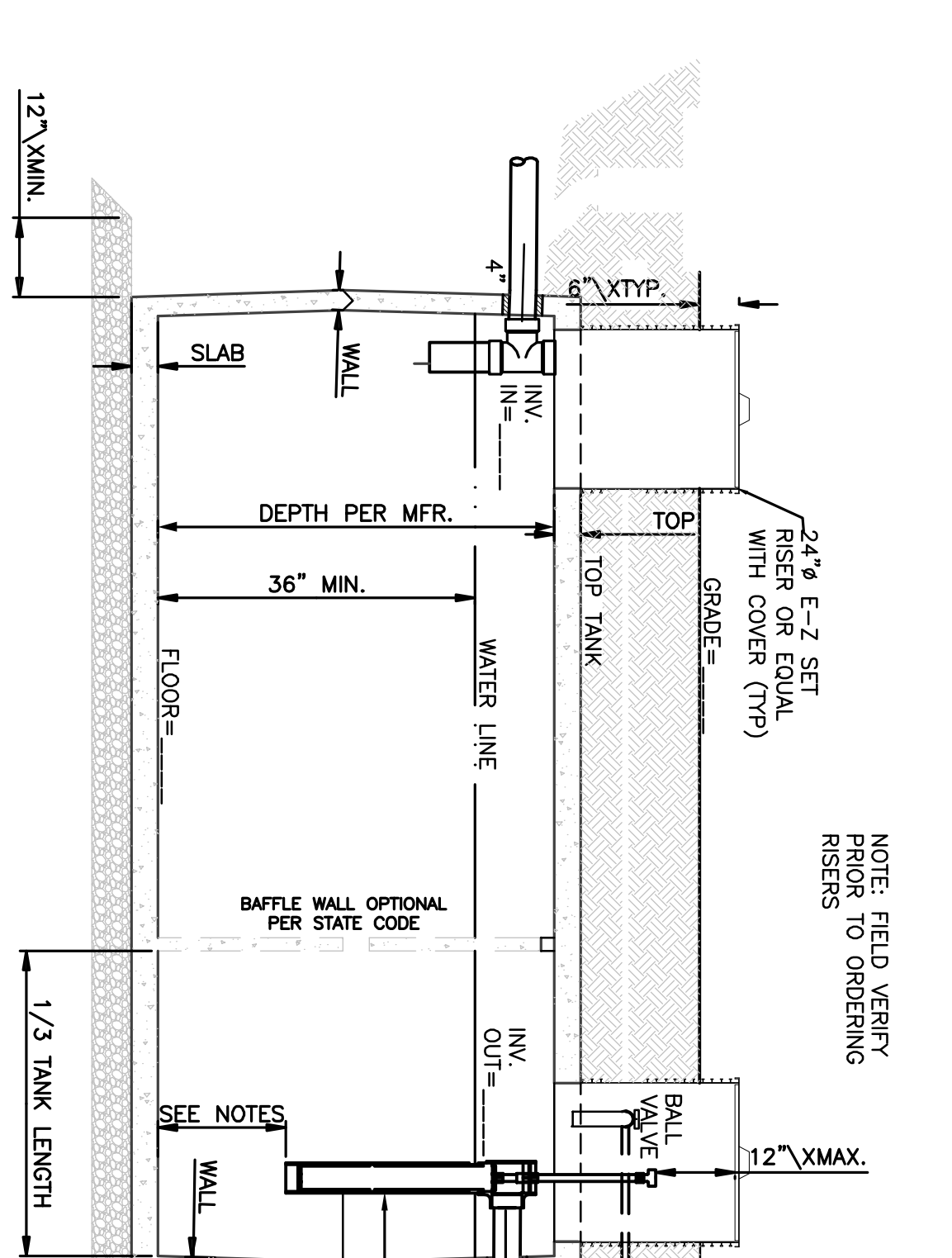
1. ALL PIPING SHALL BE SCH 40 PVC UNLESS OTHERWISE NOTED ON PLANS. ALL PVC PIPES SHALL BE BURIED A MINIMUM OF 18" UNLESS SHOWN OTHERWISE.
2. CONTRACTOR SHALL COMPLY WITH ALL APPLICABLE SOIL EROSION AND SEDIMENTATION CONTROL REQUIREMENTS.
3. CONTRACTOR SHALL COMPLY WITH ALL APPLICABLE OSHA, AND OTHER RELATED SAFETY REQUIREMENTS.
4. CONTRACTOR SHALL COMPLY WITH ALL APPLICABLE FEDERAL, STATE, COUNTY, AND LOCAL REGULATIONS AND ORDINANCES. CONTRACTOR SHALL MAINTAIN RECORD OF RECORD, FAILURE TO DO SO VIOLATES LIABILITY OF E-Z-TREAT INC. AND ENGINEER OF RECORD.
5. SYSTEM DESIGN SHALL BE PERMITTED BY APPLICABLE AUTHORITIES PRIOR TO INSTALLATION.
6. CONTRACTOR SHALL BE RESPONSIBLE FOR OBTAINING ALL NECESSARY PERMITS AND APPROVALS PRIOR TO CONSTRUCTION. CONTRACTOR SHALL BE RESPONSIBLE FOR OBTAINING ALL NECESSARY PERMITS AND APPROVALS PRIOR TO CONSTRUCTION. CONTRACTOR SHALL BE RESPONSIBLE FOR OBTAINING ALL NECESSARY PERMITS AND APPROVALS PRIOR TO CONSTRUCTION.
7. ALL TANKS SHALL HAVE A MINIMUM 28-DAY CONCRETE CURE PERIOD.
8. TANKS SHALL MEET REINFORCING REQUIREMENTS TO ACCOMMODATE 300 POUNDS PER SQUARE FOOT, EITHER STEEL REINFORCING WIRE, REBAR OR APPROVED FIBER MAY BE USED.
9. ALL TANKS AND EFFLUENT FILTERS SHALL BE APPROVED BY E-Z-TREAT AND ONE-SITE MASTERMIND EFFLUENT FILTERS SHALL BE APPROVED BY ONE-SITE MASTERMIND.
10. ALL JOINTS (AND-SEAM, TOP-SEAM) SHALL BE SEALED USING CONCRETE SEDIMENTANTS BUTYL SEDIMENTANT # CS-102 OR EQUAL.
11. TANKS SHALL BE LEAK-TESTED PRIOR TO SYSTEM START UP IN ACCORDANCE WITH ASTM STANDARDS AND AS REQUIRED BY LOCAL REGULATORY AUTHORITY.
12. ALL PIPE PENETRATIONS THROUGH PRECAST CONCRETE TANKS SHALL BE PRESS-SEAL CAST-A-SEAL 402 RUBBER BOOTS OR EQUAL.
13. THE FILTER POD INVERT OUT SHALL BE 1/4-INCH PER FOOT SLOPE MINIMUM.
14. ALL TANKS MUST MEET STATE OR LOCAL CODES.
15. U.V. SHALL BE INSTALLED AS REQUIRED BY LOCAL AND STATE CODE.



PLAN

PLAN

PLAN



ENGINEER

P.O. BOX 176
HAYMARKET VA 20168
PH. 703.763.4770
web: eztretrat.net

PROJECT

E-Z TREAT SYSTEM
TWO MODEL 750 PODS,
THREE TANK SIMPLEX
DESIGN
SEP. RECIRC. AND DOSE TANKS
PLAN AND SECTIONS

SHEET 1 OF 1

DWG NO. D201