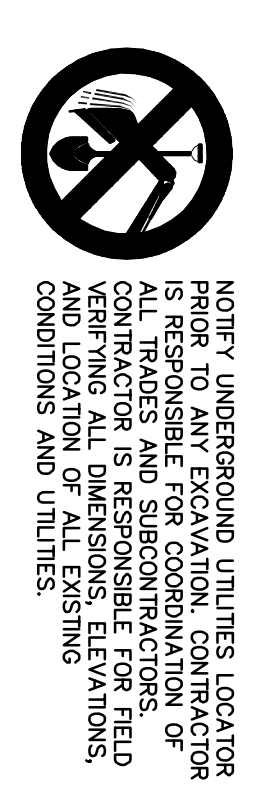


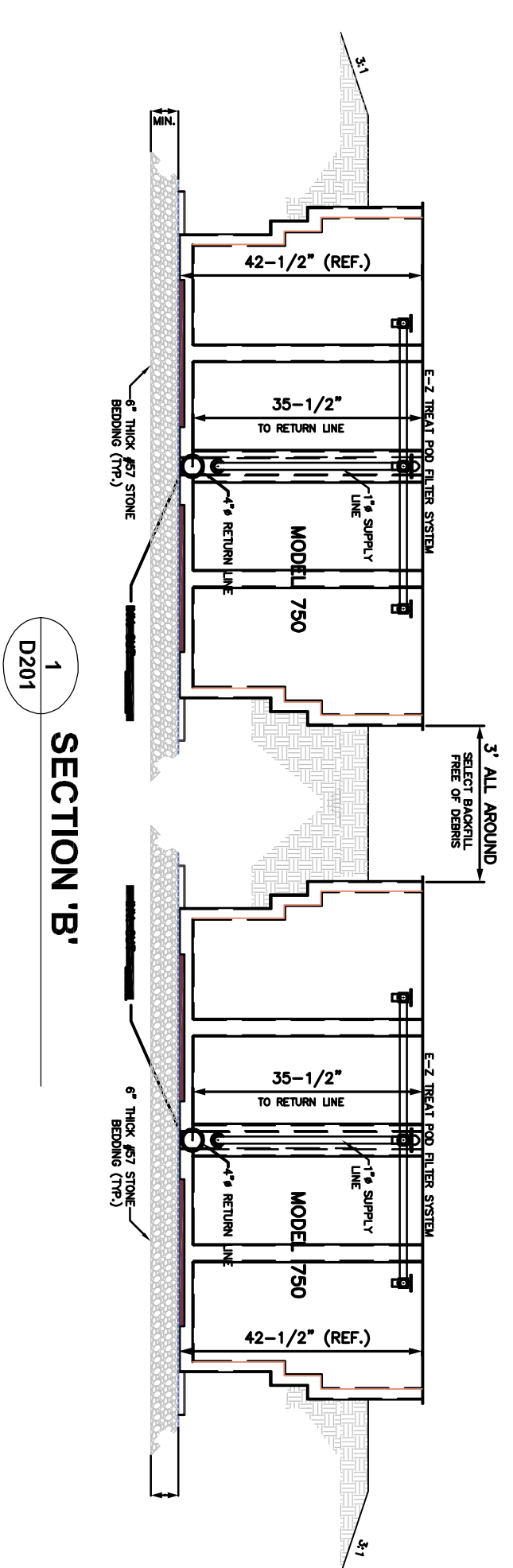
ENGINEER



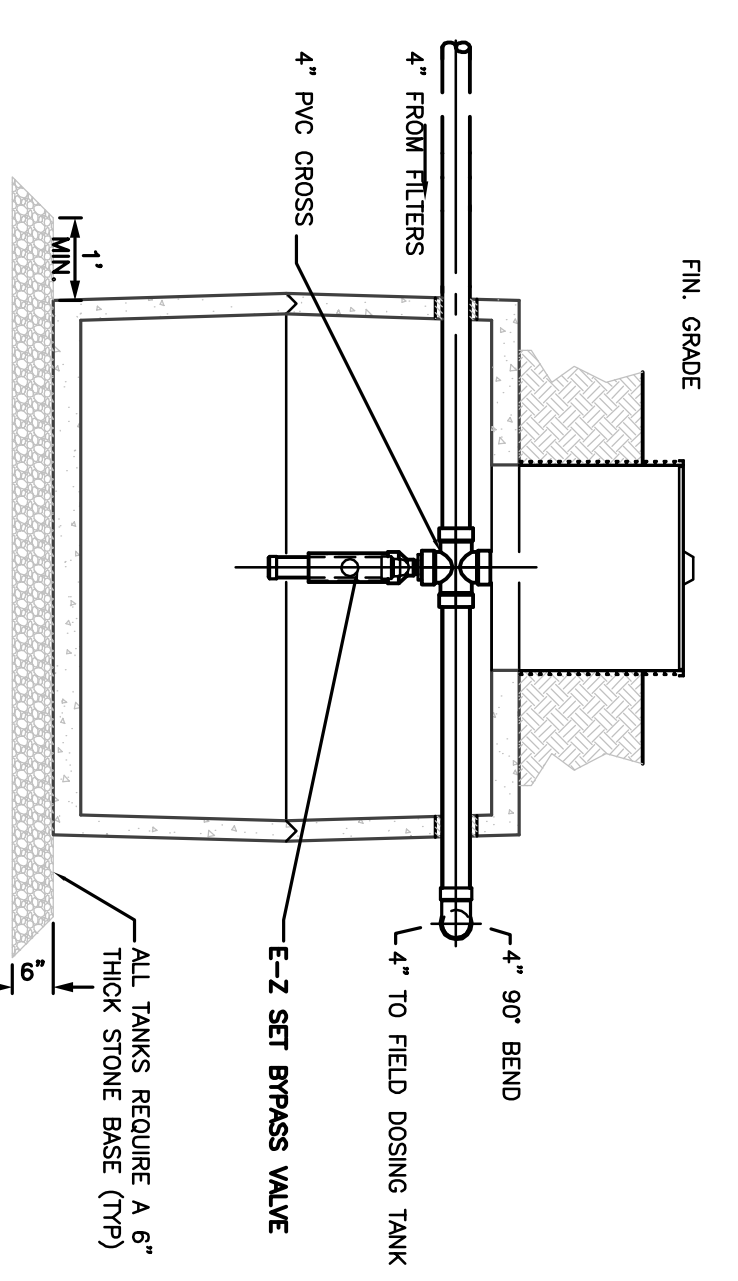
NOTICE: UNDERGROUND UTILITIES LOCATION IS NOT GUARANTEED. THE CONTRACTOR IS RESPONSIBLE FOR COORDINATION OF ALL TRADES AND SUBCONTRACTORS. ALL DIMENSIONS, ELEVATIONS, AND LOCATION OF ALL EXISTING CONDITIONS AND UTILITIES.

GENERAL NOTES:

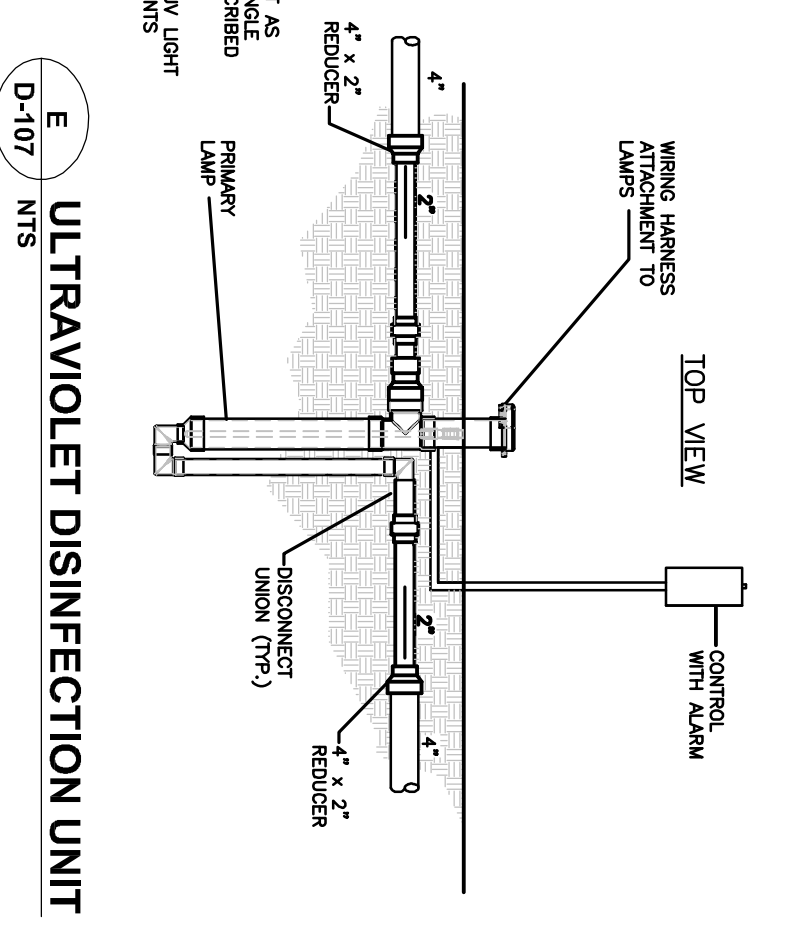
1. ALL PIPING SHALL BE SCH. 40 PVC UNLESS OTHERWISE NOTED ON THIS PLAN. ALL PVC PIPES SHALL BE SIZED A MINIMUM OF 18" UNLESS SHOWN OTHERWISE.
2. CONTRACTOR SHALL COMPLY WITH ALL APPLICABLE SOIL EROSION AND SEDIMENTATION CONTROL REQUIREMENTS.
3. CONTRACTOR SHALL COMPLY WITH ALL APPLICABLE OSHA, AND OTHER RELATED SAFETY REQUIREMENTS.
4. CONTRACTOR SHALL COMPLY WITH ALL APPLICABLE FEDERAL, STATE, COUNTY, AND LOCAL REGULATIONS IN EVENT OF DISCREPANCY CONSULT MANUFACTURER AND DESIGNER FOR RECORD. FAILURE TO DO SO DOES LIABILITY OF CONTRACTOR AND ENGINEER OF RECORD.
5. SYSTEM DESIGN SHALL BE PERMITTED BY APPLICABLE AUTHORITIES PRIOR TO INSTALLATION.
6. CONTRACTOR SHALL BE RESPONSIBLE FOR REPAIRING ALL CONSTRUCTION DAMAGE, EXCEPTORALLY AND AT NO ADDITIONAL COST TO THE OWNER.
7. ALL TANKS SHALL HAVE A MINIMUM 28-DAY CONCRETE STRENGTH OF 3500 PSI.
8. TANKS SHALL MEET REINFORCING REQUIREMENTS TO RESIST FLOODING AND PONDING PER OUPPER FOOT FLOOR MAY BE USED.
9. ALL TANKS AND EFFLUENT FILTERS SHALL BE APPROVED BY E-Z TREAT AND ON-SITE WASTEWATER EFFLUENT FILTERS SHALL BE SIZED FOR DESIGN FLOW AND EXTEND DOWN TO 50-PERCENT OF LIQUID LEVEL.
10. ALL JOINTS (MID-SEAM, TOP-SEAM) SHALL BE SEALED USING CONCRETE SEALANTS BUTL SEALANT # CS-102 OR EQUAL.
11. TANKS SHALL BE LEAK-TESTED PRIOR TO SYSTEM START UP IN ACCORDANCE WITH ASTM STANDARDS AND AS REQUIRED BY LOCAL REGULATORY AGENCY.
12. ALL PIPE PENETRATIONS THROUGH PRECAST CONCRETE SHALL BE REINFORCED WITH 4" DIA. 5" DIA. 40Z ROBBERS BOOTS OR EQUAL.
13. THE FILTER POD INVERT OUT SHALL BE 1/4-INCH PER FOOT SLOPE MINIMUM.
14. ALL TANKS MUST MEET STATE OR LOCAL CODES.
15. UV, SHALL BE INSTALLED AS REQUIRED BY LOCAL AND STATE CODE.



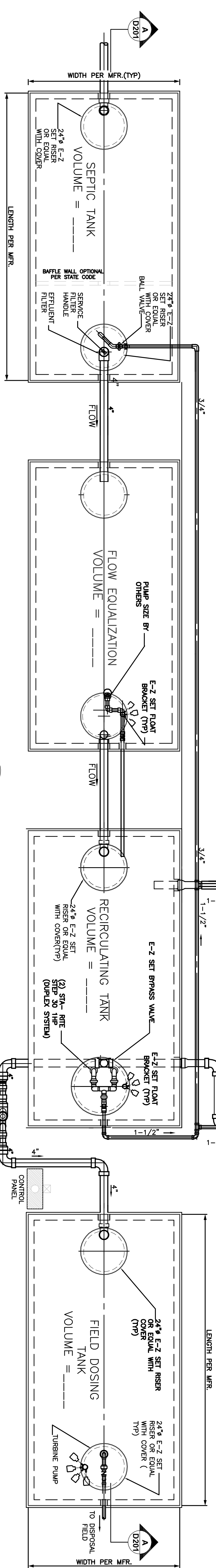
SECTION B'



SECTION C'



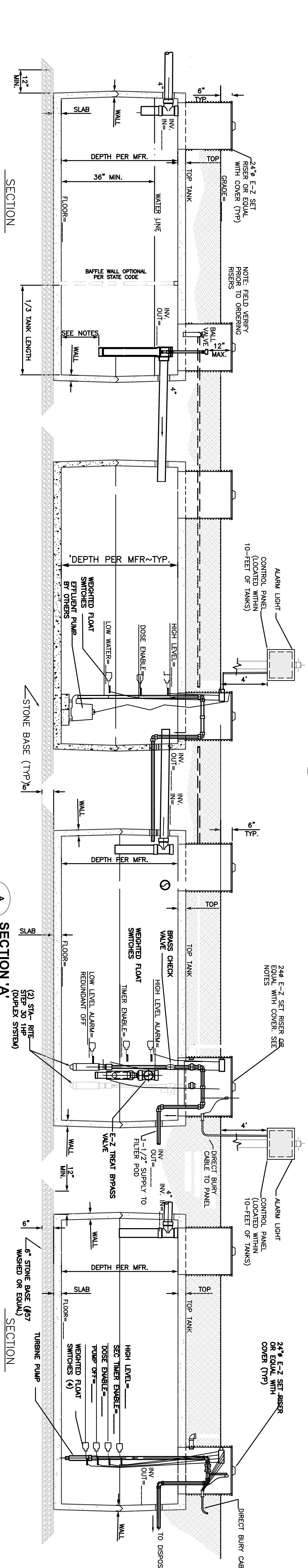
ULTRAVIOLET DISINFECTION UNIT



PLAN

PLAN

PLAN



SECTION A'

SECTION

PROJECT	CITY
COUNTY	ADDRESS
DESIGN	P.O. BOX 176 HAYMARKET VA 20168 PH. 703.763.4770 web: ez.treat.net
DRAWN	APPROVED
SYSTEM CONFIGURATION	
E-Z TREAT SYSTEM TWO MODEL 750 PODS, FOUR TANK DUPLEX DESIGN	
SEP. RECIRC. AND DOSE TANKS PLAN AND SECTIONS	
SHEET 1 OF 1	DWG NO. D210