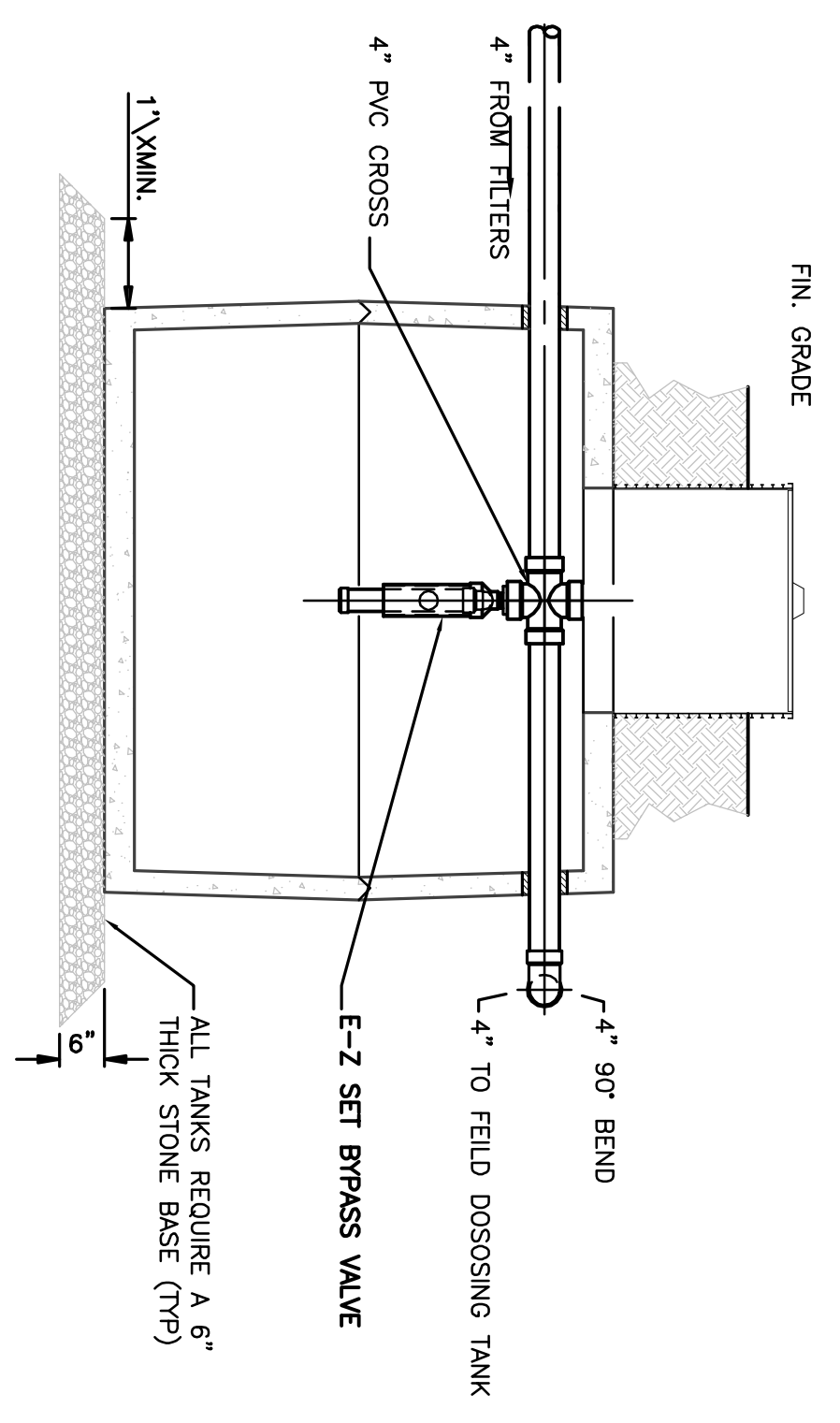
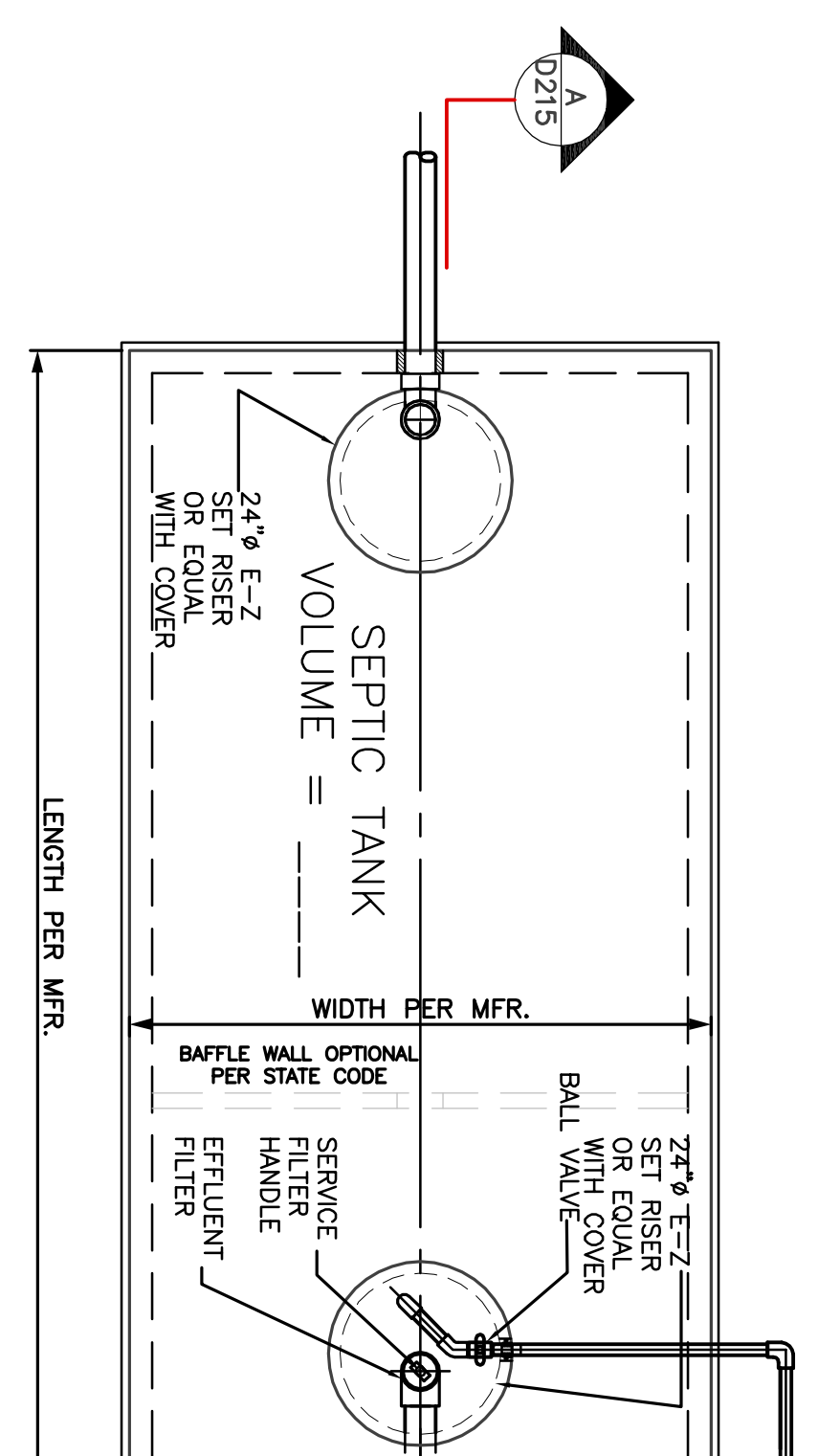


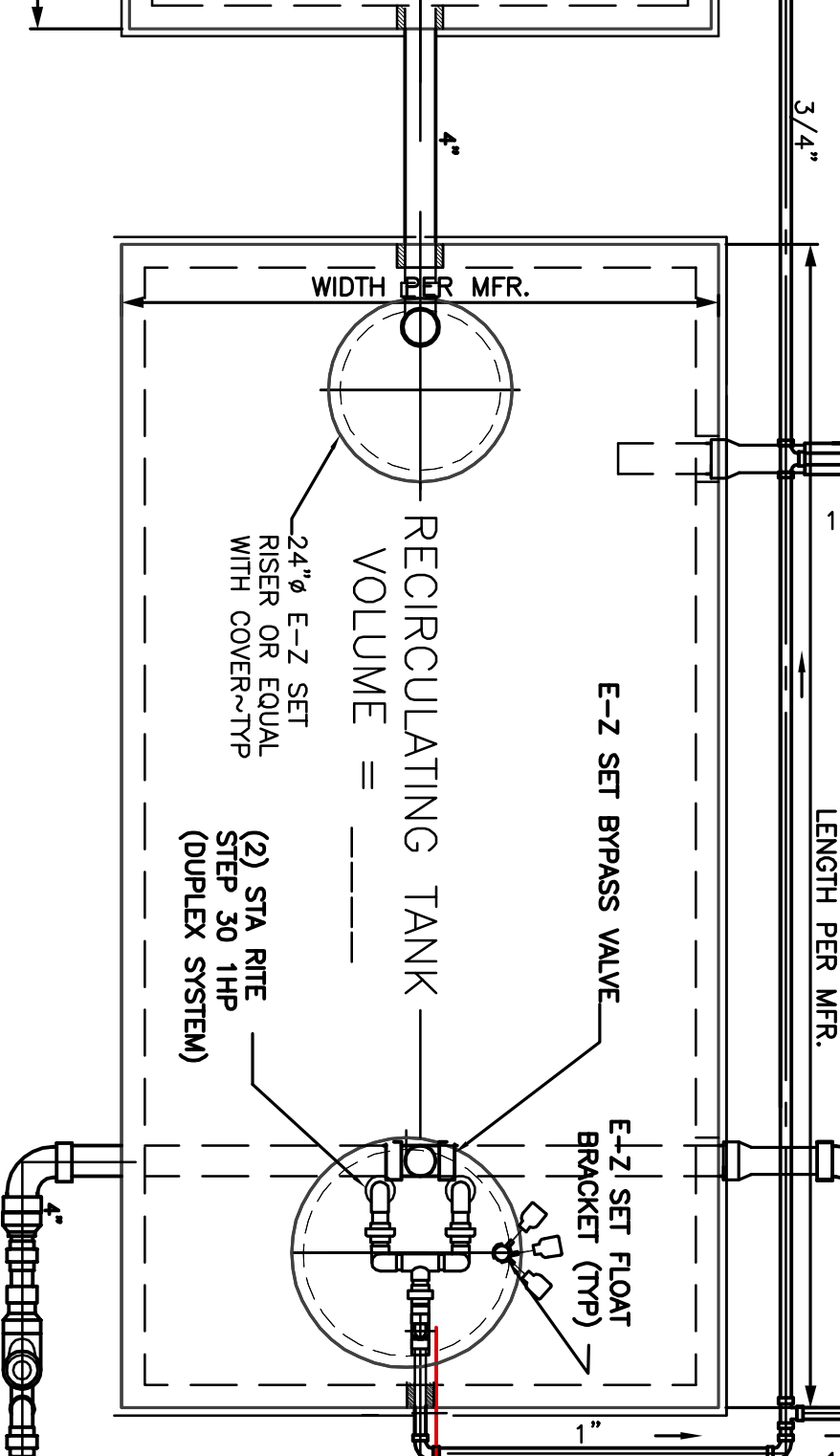
**B**  
SECTION 'B'  
D215  
NTS



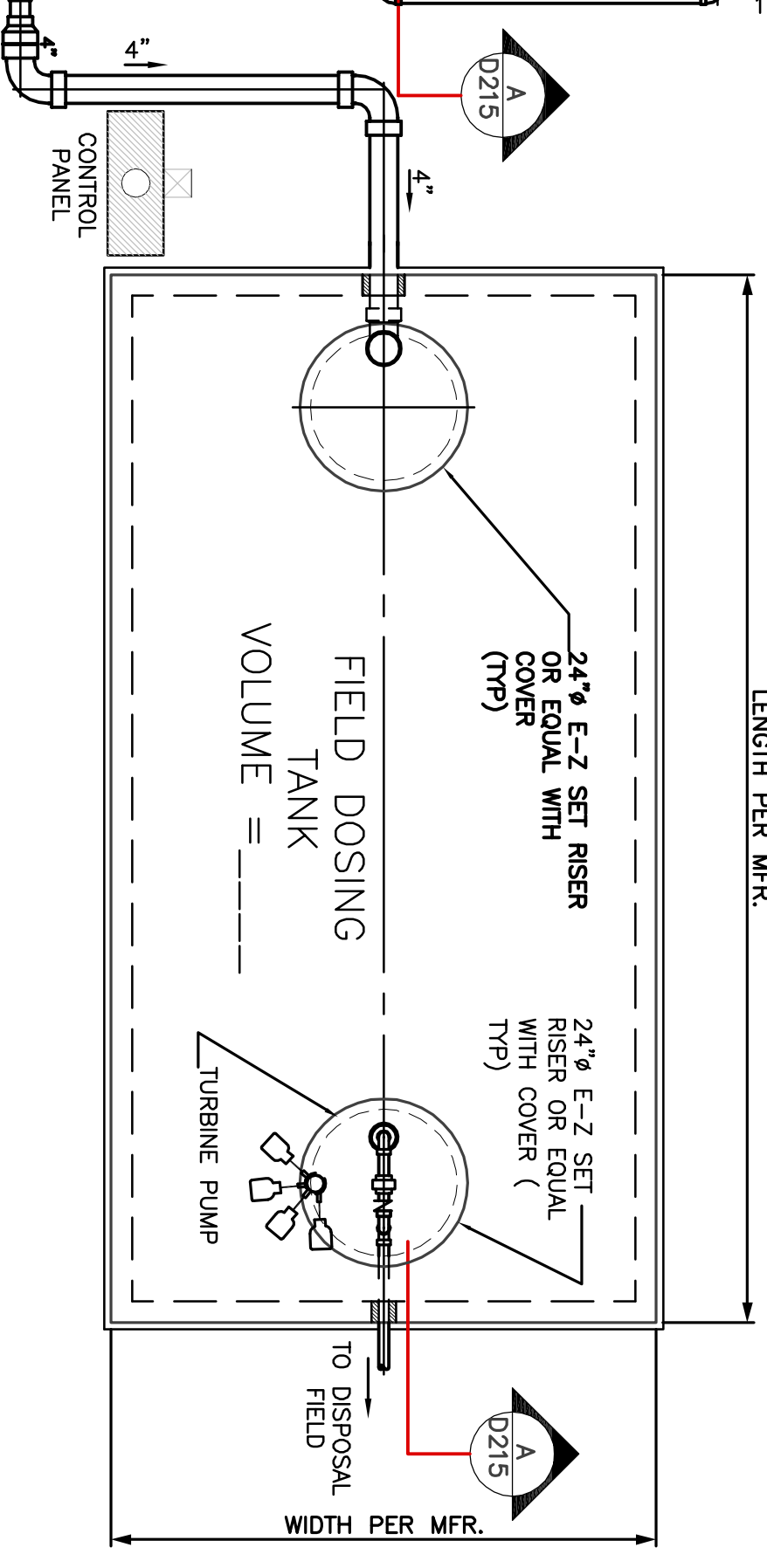
**C**  
SECTION 'C'  
D215  
NTS



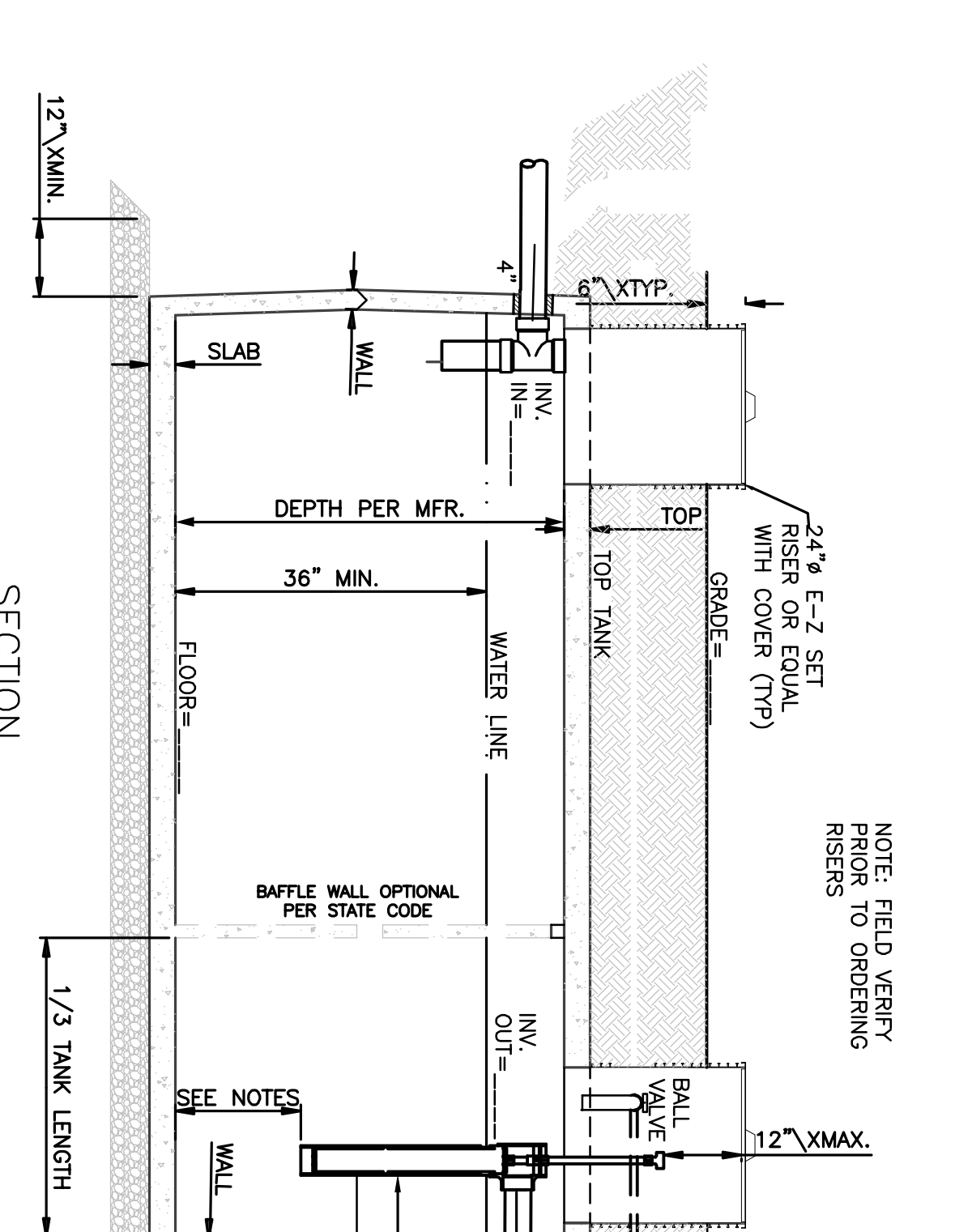
**PLAN**  
D215  
NTS



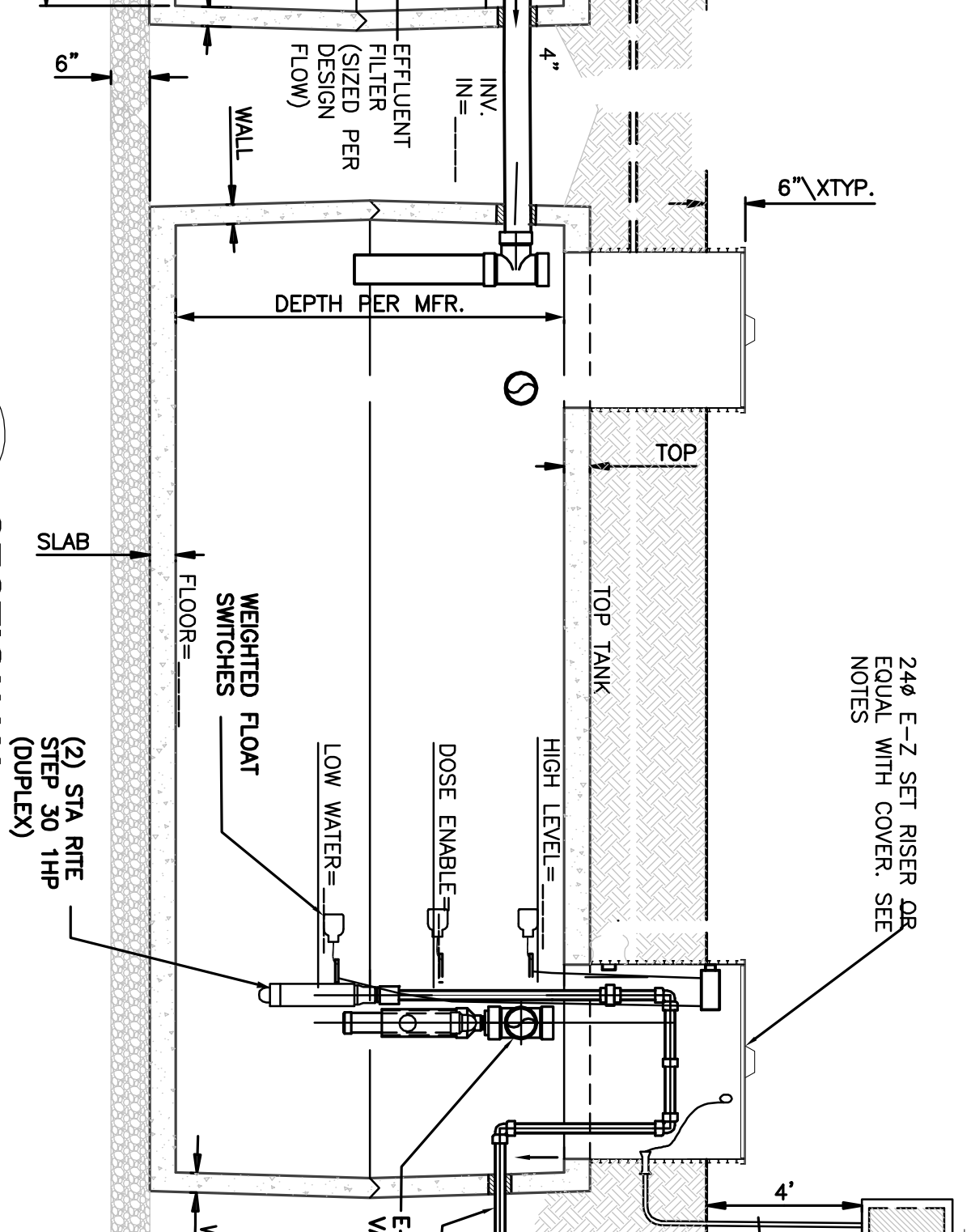
**1**  
PLAN  
D215  
NTS



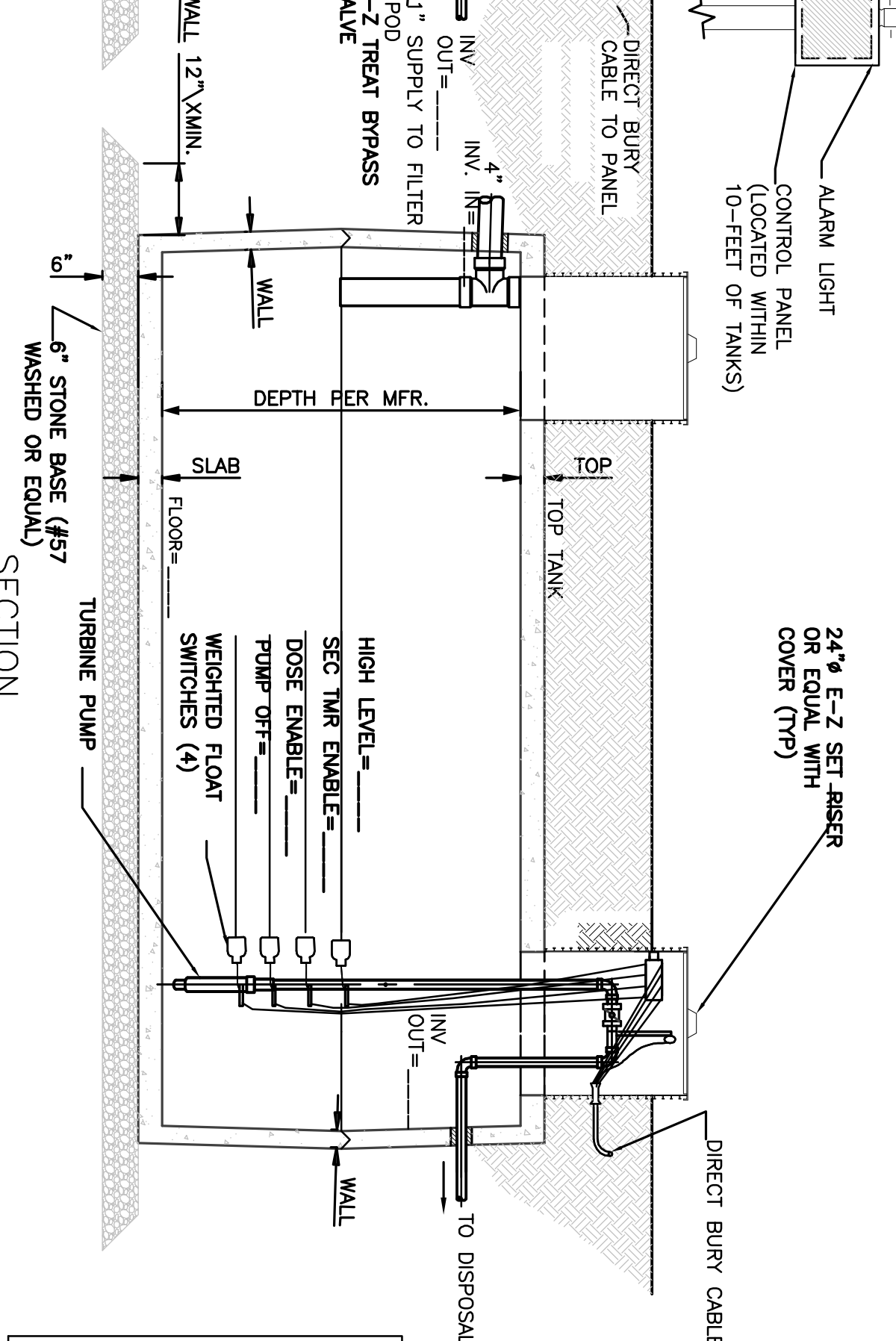
**PLAN**  
D215  
NTS



**SECTION 'A'**  
D215  
NTS



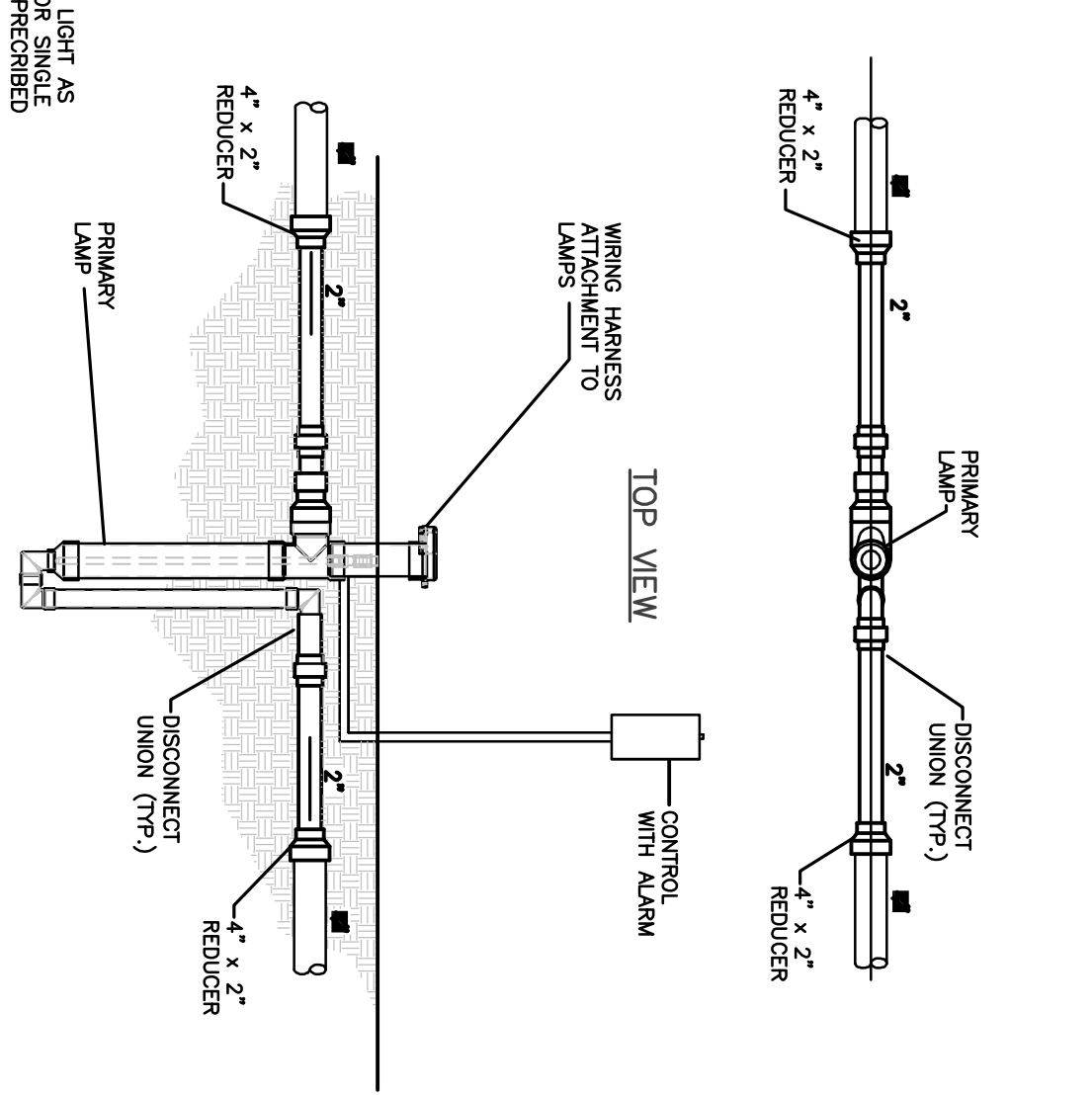
**SECTION 'A'**  
D215  
NTS



**SECTION**  
D215  
NTS

- NOTES:
1. ULTRAVIOLET LIGHT AS SHOWN IS TO BE USED IN BUILD UNIT AS PRESCRIBED IN DETAIL PER SITE REQUIREMENTS

**E**  
ULTRAVIOLET DISINFECTION UNIT  
D215  
NTS



NOTIFY UNDERGROUND UTILITIES LOCATOR PRIOR TO ANY EXCAVATION. CONTRACTOR IS RESPONSIBLE FOR FIELD LOCATION OF ALL EXISTING CONDITIONS AND UTILITIES.

**GENERAL NOTES:**

1. ALL PIPING SHALL BE SCH 40 PVC UNLESS OTHERWISE NOTED. MINIMUM OF 18" UNLESS SHOWN OTHERWISE.
2. CONTRACTOR SHALL COMPLY WITH ALL APPLICABLE CODES, ORDINANCES AND REGULATIONS.
3. CONTRACTOR SHALL COMPLY WITH ALL APPLICABLE LOCAL, STATE AND FEDERAL SAFETY REQUIREMENTS.
4. CONTRACTOR SHALL COMPLY WITH ALL APPLICABLE LOCAL, STATE AND FEDERAL SAFETY REQUIREMENTS. IN EVENT OF DISCREPANCY CONSULT MANUFACTURER AND ENGINEER OF RECORD. FAILURE TO DO SO Voids LIABILITY OF E-Z-TREAT INC. AND ENGINEER OF RECORD.
5. SYSTEM DESIGN SHALL BE PERMITTED BY APPLICABLE AUTHORITIES PRIOR TO INSTALLATION.
6. CONTRACTOR SHALL BE RESPONSIBLE FOR REPAIRING ALL CONSTRUCTION DAMAGE EXPEDITIOUSLY AND AT NO ADDITIONAL COST TO THE OWNER.
7. ALL TANKS SHALL HAVE A MINIMUM 28-DAY CONCRETE STRENGTH OF 4500 PSI.
8. TANKS SHALL MEET REINFORCING REQUIREMENTS TO ACCOMMODATE 300 POUNDS PER SQUARE FOOT EITHER SIDEWIND OR WINDING WHEEL. REINFT ON APPROVED FABRIC MAY BE USED.
9. ALL TANKS AND EFFLUENT FILTERS SHALL BE APPROVED BY E-Z-TREAT AND ON-SITE WASTEWATER EFFLUENT FILTERS SHALL BE SIZED FOR DESIGN FLOW AND EXTEND DOWN TO 50-PERCENT OF LIQUID LEVEL.
10. ALL JOINTS (MID-SEAM, TOP-SEAM) SHALL BE SEALED OR USING CONCRETE SEALANT BUTL SEALANT # GS-102 OR EQUAL.
11. TANKS SHALL BE LEAK-TESTED PRIOR TO SYSTEM START UP IN ACCORDANCE WITH ASTM STANDARDS AND AS REQUIRED BY LOCAL REGULATORY AGENCY.
12. ALL PIPE PENETRATIONS THROUGH PRECAST CONCRETE SHALL BE PRESS-SEAL CAST-IN-SEAL 40Z RUBBER BOSS OR EQUAL.
13. THE FILTER POD INVERT OUT SHALL BE 1/4-INCH PER FOOT SLOPE MINIMUM.
14. ALL TANKS MUST MEET STATE OR LOCAL CODES.
15. UV SHALL BE INSTALLED AS REQUIRED BY LOCAL AND STATE CODE.

<b>PROJECT</b>		E-Z TREAT SYSTEM TWO MODEL 750 PODS, THREE TANK DUPLEX DESIGN SEP. RECIRC. AND DOSE TANKS PLAN AND SECTIONS	
<b>CITY</b>		<b>ENGINEER</b>	
<b>COUNTY</b>			
<b>ADDRESS</b>			
<b>DESIGN</b>		P.O. BOX 176 HAYMARKET, VA 20168 PH. 703.763.4770 web: eztretrat.net	
<b>DRAWN</b>			
<b>APPROVED</b>			
<b>SYSTEM CONFIGURATION</b>			
<b>E-Z TREAT SYSTEM</b>			
<b>TWO MODEL 750 PODS,</b>			
<b>THREE TANK DUPLEX</b>			
<b>DESIGN</b>			
<b>SEP. RECIRC. AND DOSE TANKS</b>			
<b>PLAN AND SECTIONS</b>			
<b>SHEET</b>	<b>1</b>	<b>OF</b>	<b>1</b>
<b>DWG NO. D215</b>			