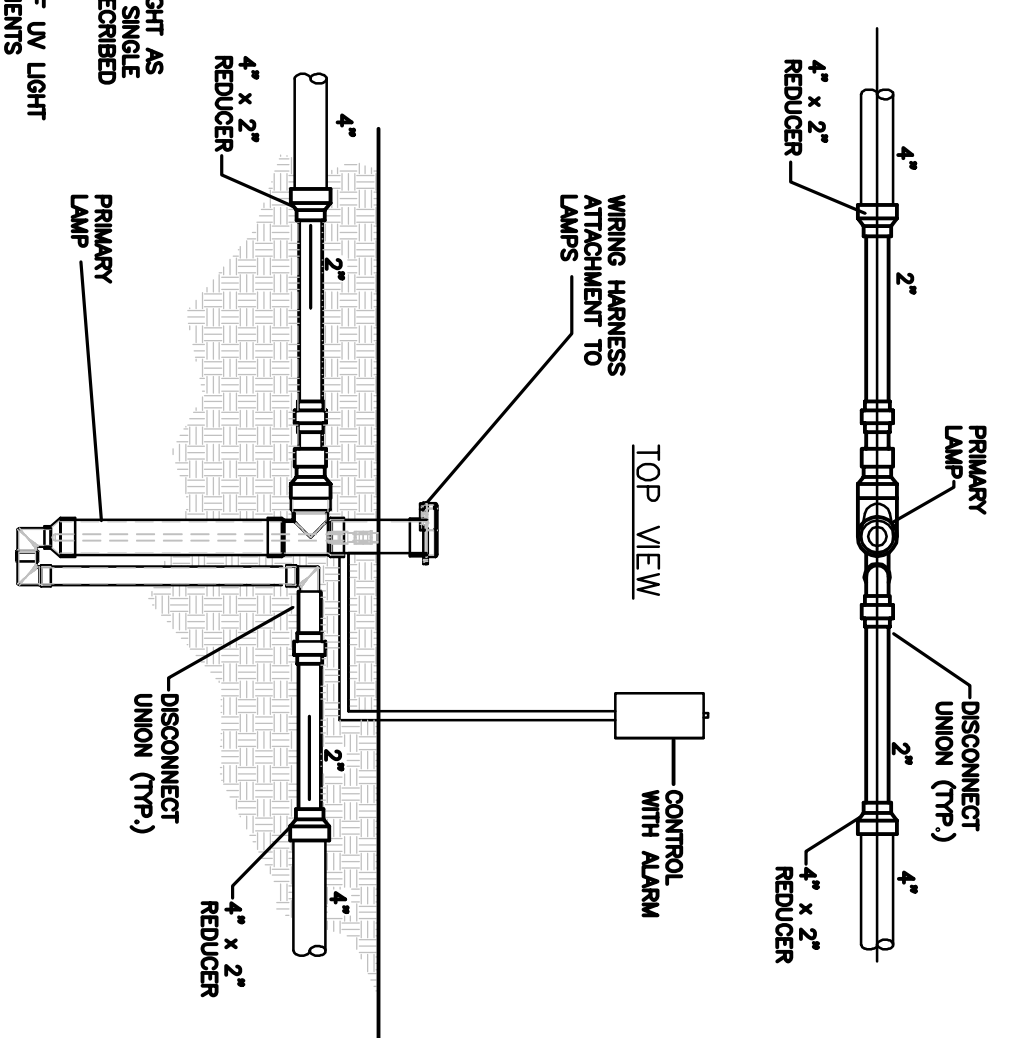


NOTICE: UNDERGROUND UTILITIES LOCATOR IS RESPONSIBLE FOR COMBINATION OF ALL TRADES AND SUBCONTRACTORS. CONTRACTOR SHALL VERIFY ALL DIMENSIONS, ELEVATIONS, AND LOCATION OF ALL EXISTING CONDITIONS AND UTILITIES.

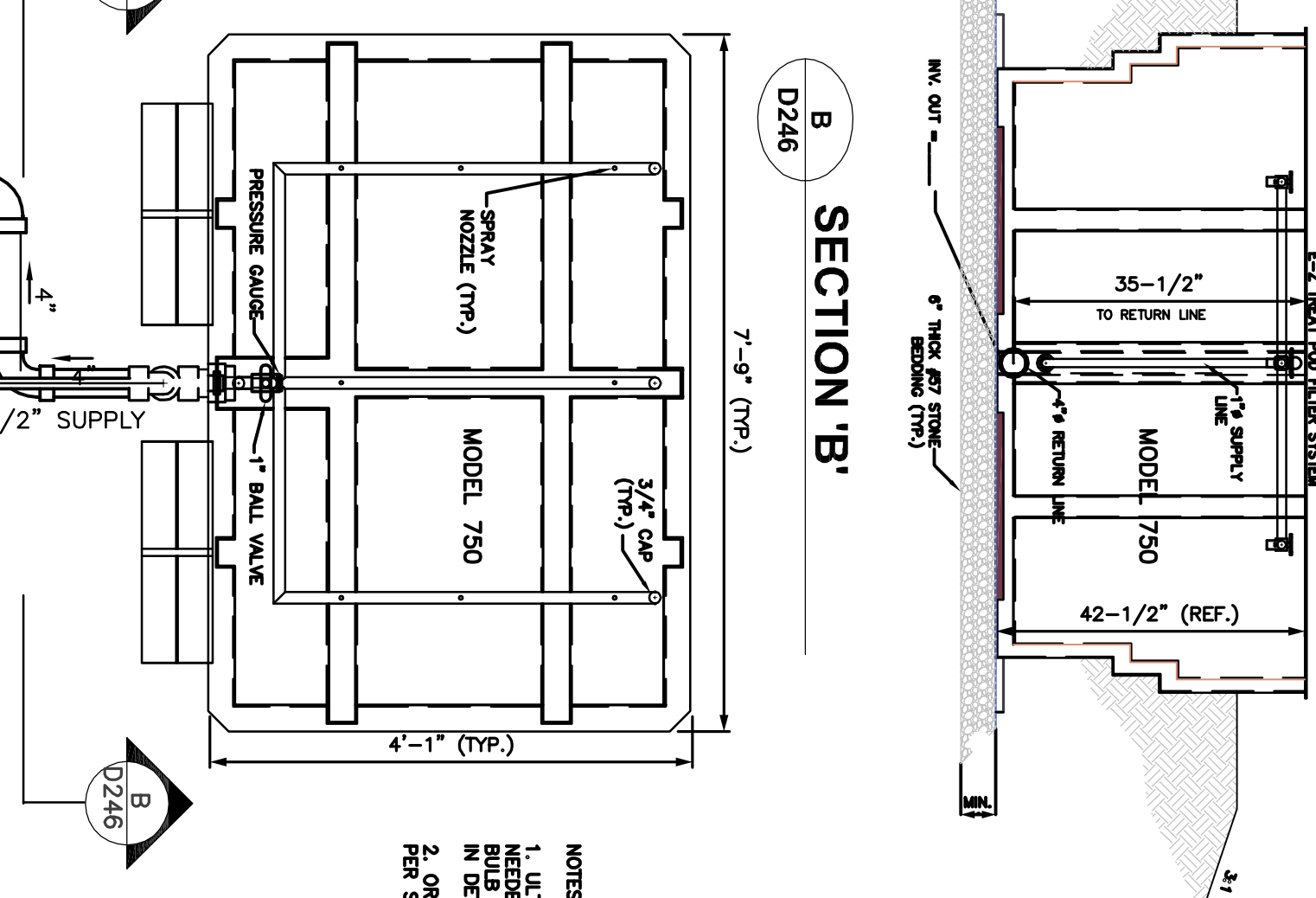
GENERAL NOTES:

1. ALL PIPING SHALL BE SCH 40 PVC UNLESS OTHERWISE NOTED ON PLANS. ALL PVC PIPES SHALL BE BURIED A MINIMUM OF 18" UNLESS SHOWN OTHERWISE.
2. CONTRACTOR SHALL COMPLY WITH ALL APPLICABLE SOIL EROSION AND SEDIMENTATION CONTROL REQUIREMENTS.
3. CONTRACTOR SHALL COMPLY WITH ALL APPLICABLE OSHA, AND OTHER RELATED SAFETY REQUIREMENTS.
4. CONTRACTOR SHALL COMPLY WITH ALL APPLICABLE FEDERAL, STATE, COUNTY, AND LOCAL REGULATIONS, IN EVENT OF DISCREPANCY CONSULT MANUFACTURERS AND OF E-Z-TREAT INC. AND ENGINEER OF RECORD.
5. SYSTEM DESIGN SHALL BE PERMITTED BY APPLICABLE AUTHORITIES PRIOR TO INSTALLATION.
6. CONTRACTOR SHALL BE RESPONSIBLE FOR REPAIRING ALL ADDITIONAL COST TO THE OWNER.
7. ALL TANKS SHALL HAVE A MINIMUM 28-DAY CONCRETE STRENGTH OF 4500 PSI.
8. TANKS SHALL MEET REINFORCING REQUIREMENTS TO STEEL REINFORCING WIRE. REBAR OR APPROVED FIBER MAY BE USED.
9. ALL TANKS AND EFFLUENT FILTERS SHALL BE APPROVED BY E-Z-TREAT AND ON-SITE WASTEWATER EFFLUENT FILTERS SHALL BE SIZED FOR DESIGN FLOW AND EXTEND DOWN TO 50-HEIGHT OF LIQUID LEVEL.
10. BALL JOINTS (JUD-SEAM, TOP-SEAM) SHALL BE SEALED USING CONCRETE SEALANTS BOUTI SEALANT # CS-117 OR EQUAL.
11. TANKS SHALL BE LEAK-TESTED PRIOR TO SYSTEM START AND AS REQUIRED BY LOCAL REGULATORY AUTHORITY.
12. ALL PIPE PENETRATIONS THROUGH PRECAST CONCRETE BOOTS OR EQUAL.
13. THE FILTER POD INVERT OUT SHALL BE 1/4-INCH PER FOOT SLOPE MINIMUM.
14. ALL TANKS MUST MEET STATE OR LOCAL CODES.
15. U.V. SHALL BE INSTALLED AS REQUIRED BY LOCAL AND STATE CODE.

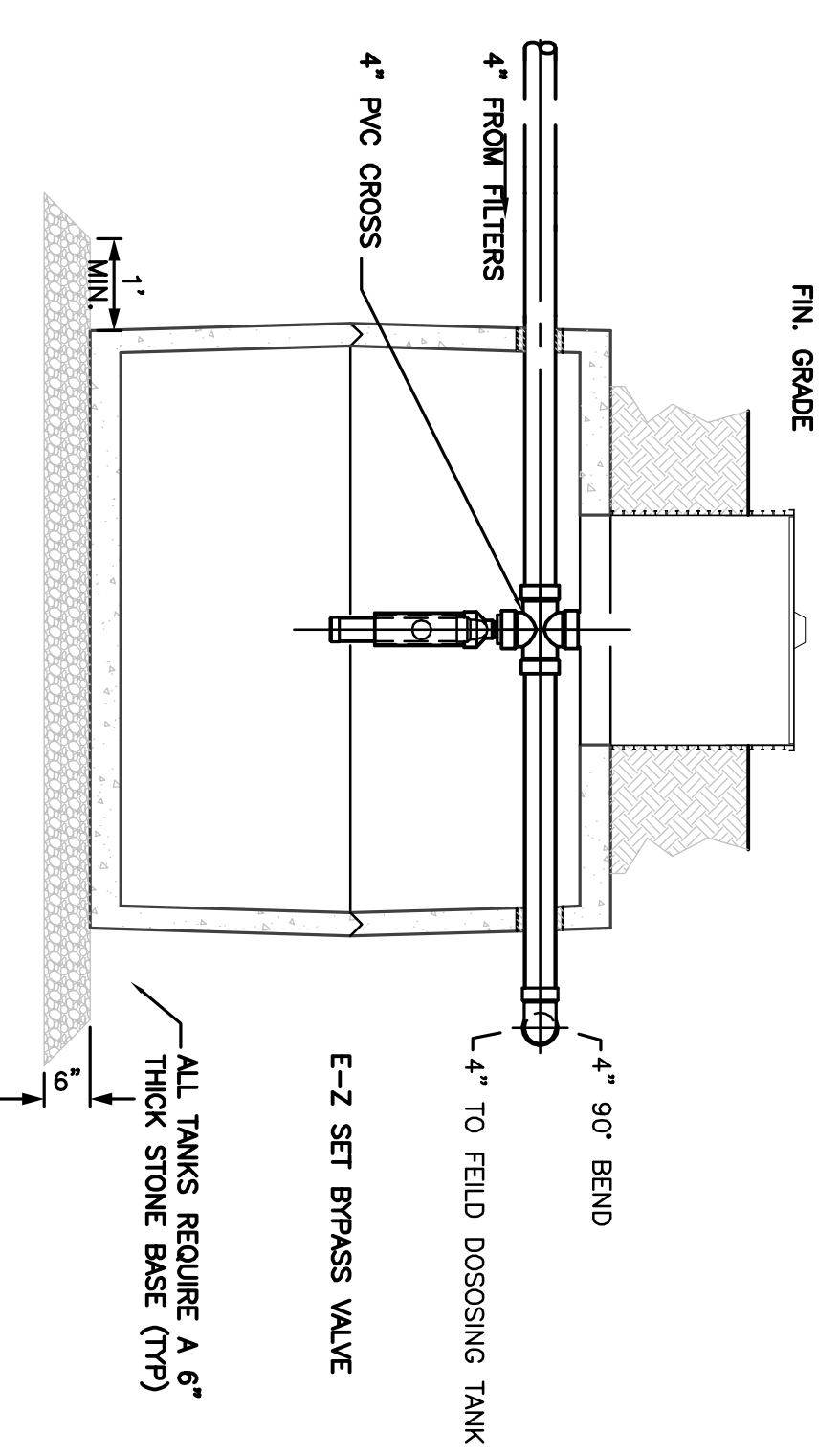
E ULTRAVIOLET DISINFECTION UNIT



B SECTION 'B'

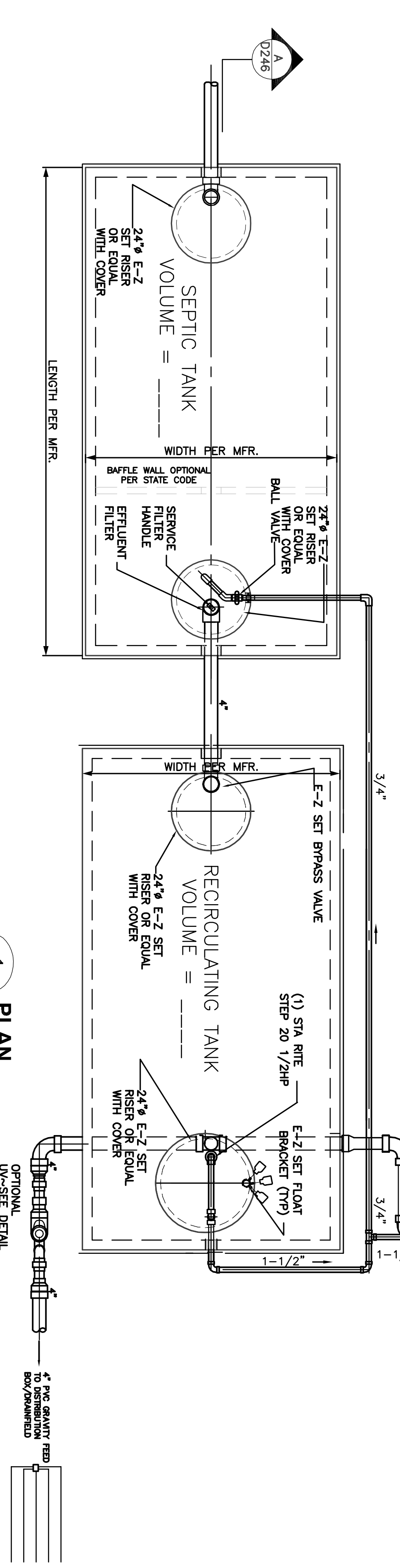


C SECTION 'C'



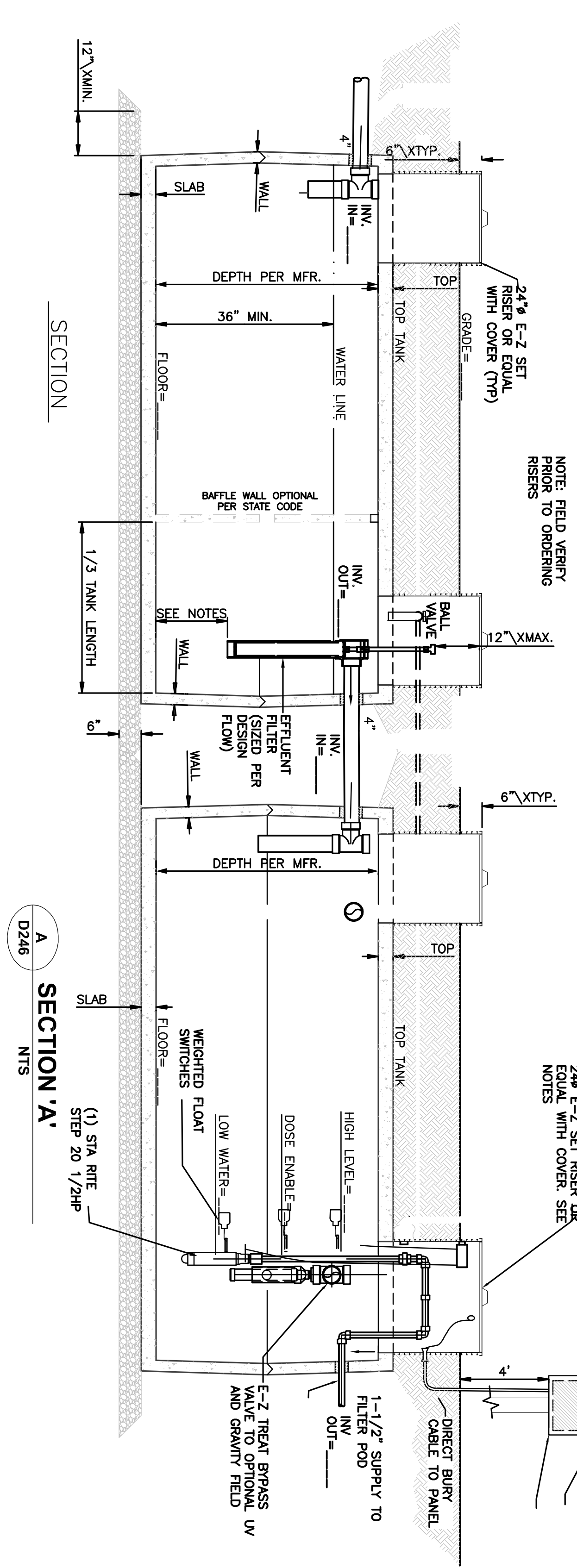
1 PLAN

PLAN



A SECTION 'A'

SECTION



**E-Z TREAT SYSTEM
SINGLE MODEL 750 POD,
TWO TANK SIMPLEX
GRAVITY FEED DESIGN**

ENGINEER	
DESIGN	
DRAWN	
APPROVED	

P.O. BOX 176
HAYMARKET, VA 20168
PH. 703.763.4770
web: eztreath.net

PROJECT	
CITY	
COUNTY	
ADDRESS	

SHEET **1** OF **1**
DWG NO. D246