



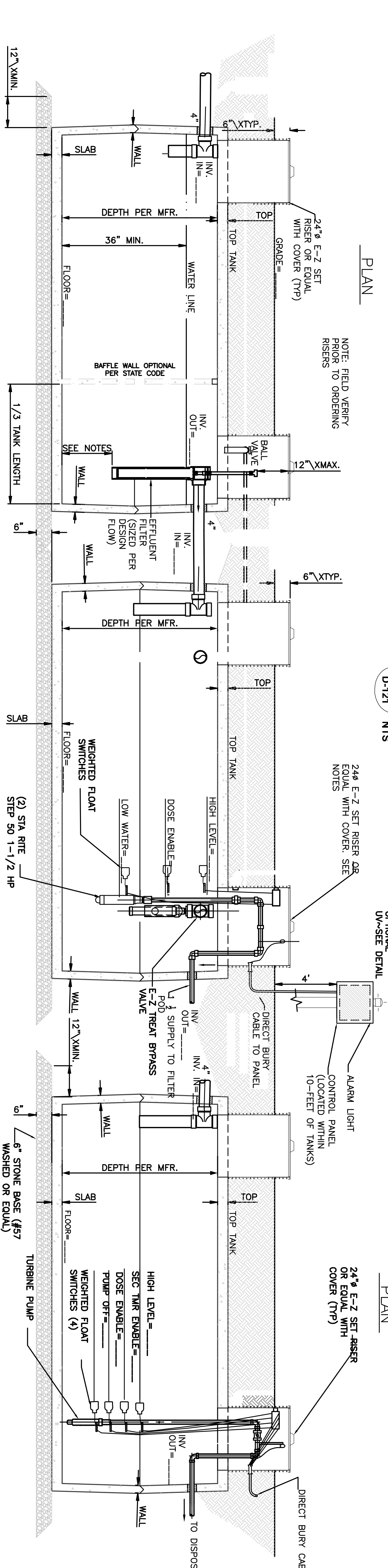
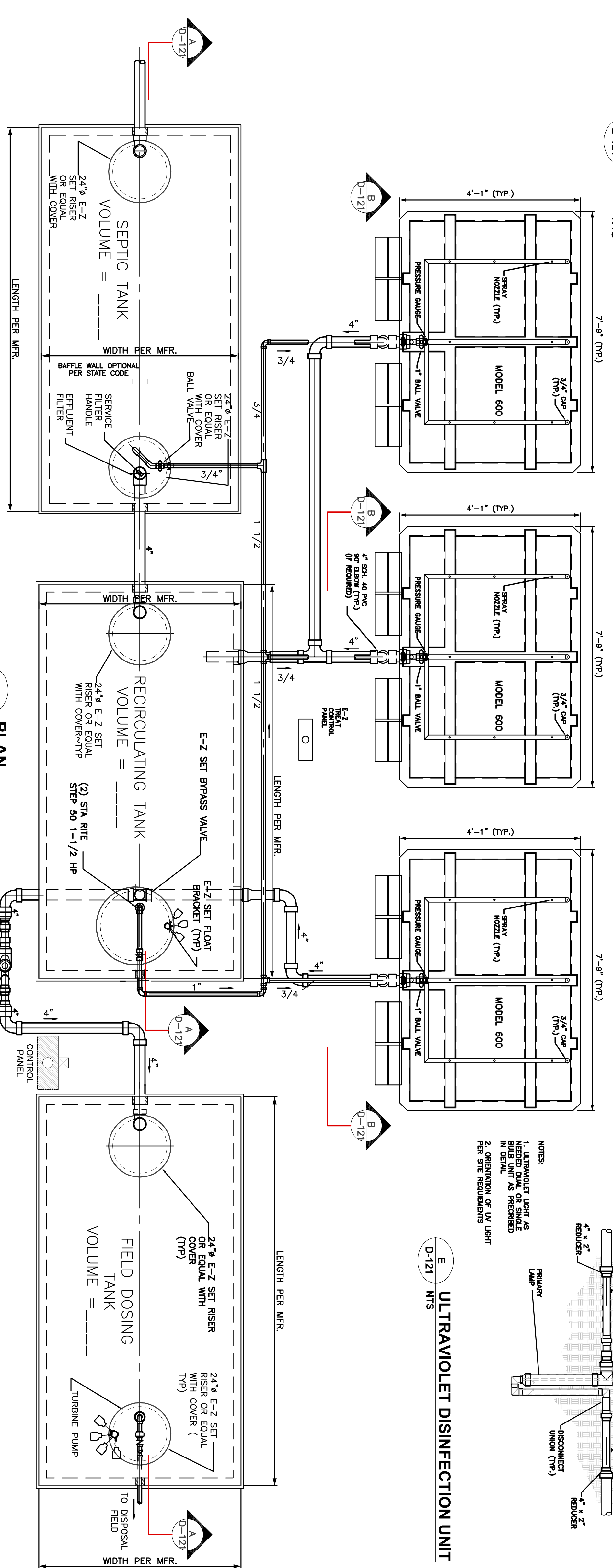
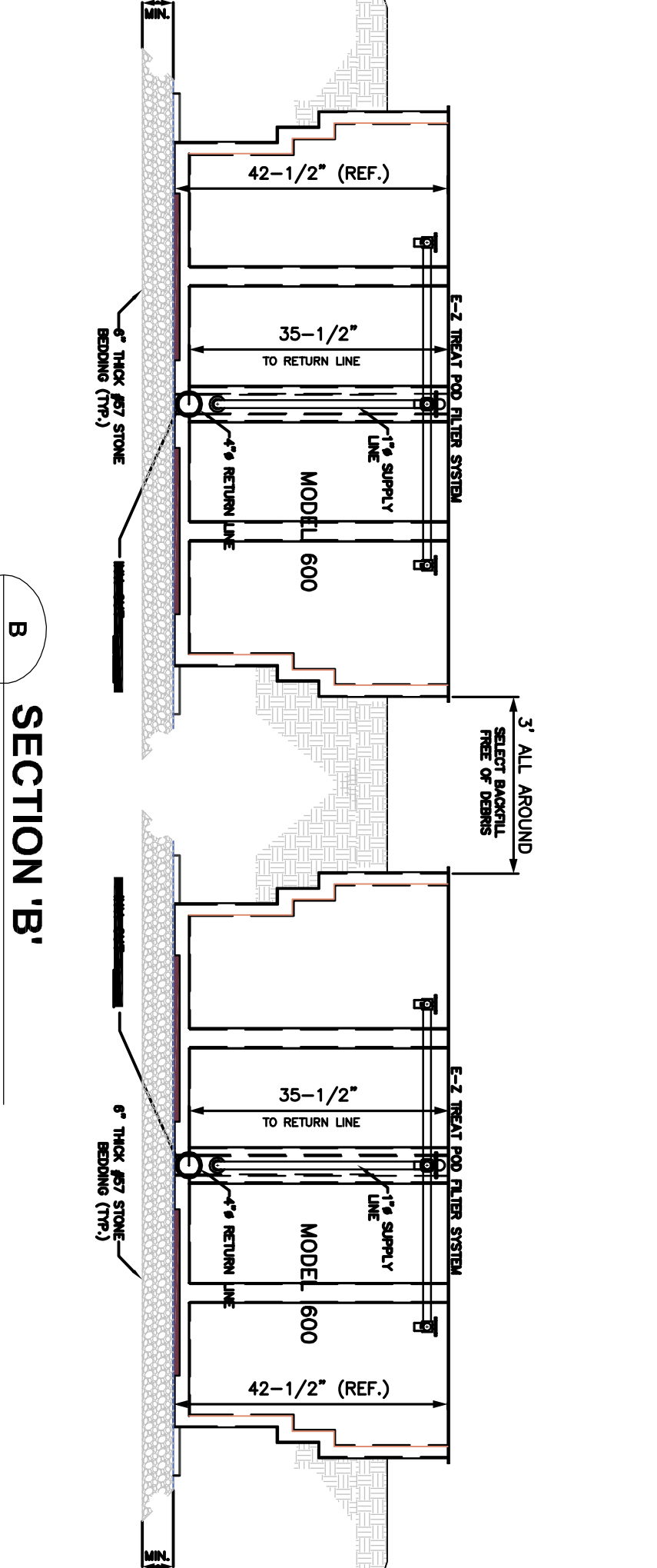
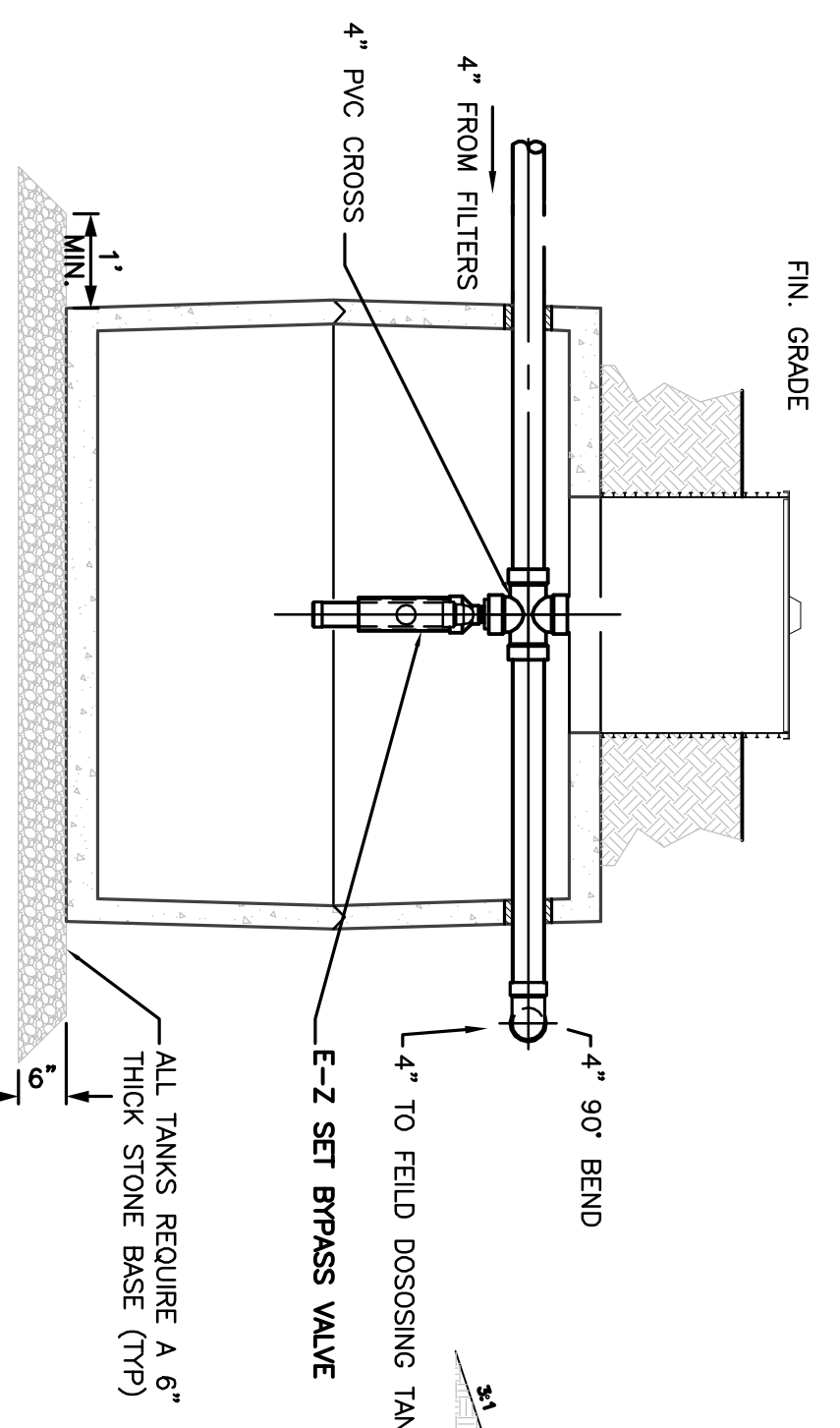
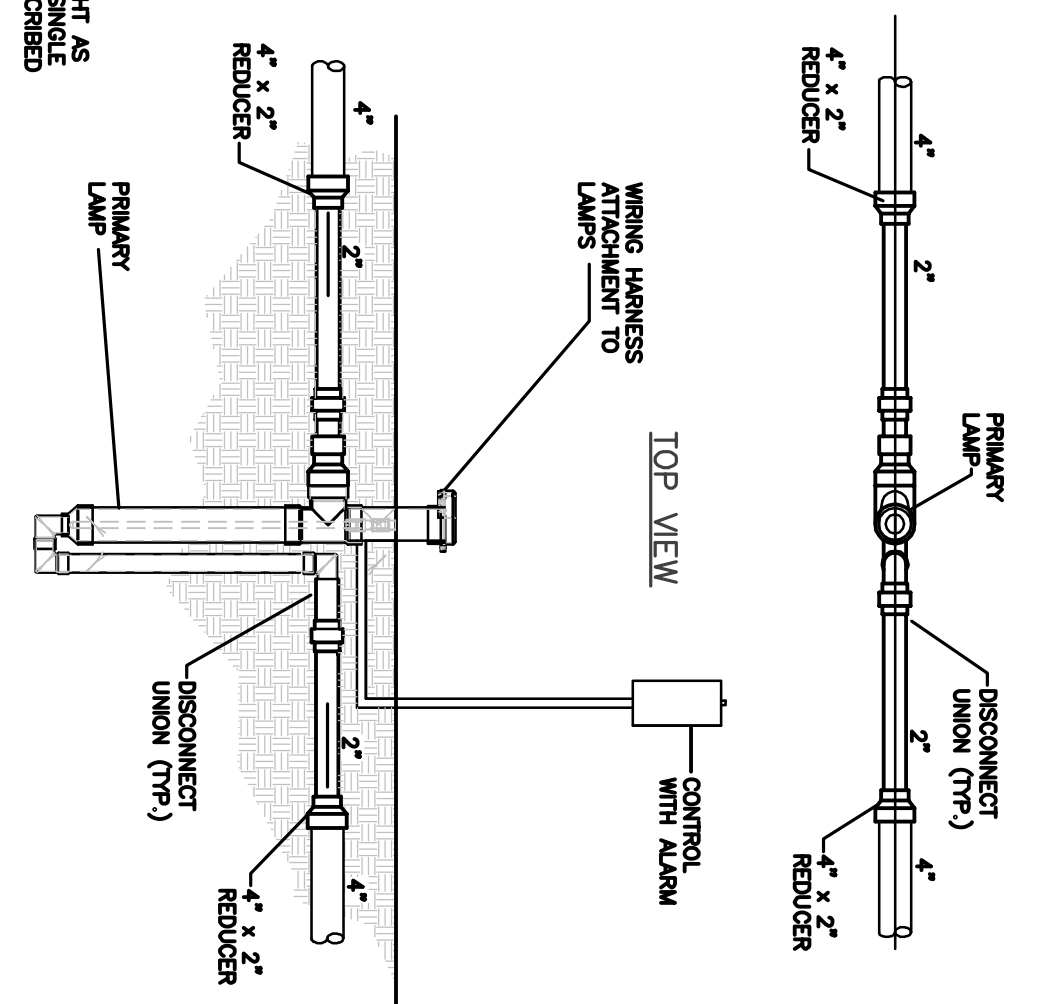
NOTIFY UNDERGROUND UTILITIES LOCATOR PRIOR TO ANY EXCAVATION. CONTRACTOR IS RESPONSIBLE FOR OBTAINING ALL NECESSARY PERMITS AND APPROVALS. CONTRACTOR IS RESPONSIBLE FOR FIELD VERIFYING ALL DIMENSIONS, ELEVATIONS, CONDITIONS AND UTILITIES.

GENERAL NOTES:

1. ALL PIPING SHALL BE SCH 40 PVC UNLESS OTHERWISE NOTED ON PLANS. ALL PVC PIPES SHALL BE BURIED A MINIMUM OF 18" UNLESS SHOWN OTHERWISE.
2. CONTRACTOR SHALL COMPLY WITH ALL APPLICABLE SOIL EROSION AND SEDIMENTATION CONTROL REQUIREMENTS.
3. CONTRACTOR SHALL COMPLY WITH ALL APPLICABLE OSHA, AND OTHER RELATED SAFETY REQUIREMENTS.
4. CONTRACTOR SHALL COMPLY WITH ALL APPLICABLE FEDERAL, STATE, COUNTY, AND LOCAL REGULATIONS, ORDINANCES, AND CODES. CONTRACTOR SHALL OBTAIN ALL NECESSARY PERMITS AND APPROVALS FROM THE ENGINEER OF RECORD, FAILURE TO DO SO VIOLATES LIABILITY OF E-Z-TREAT INC. AND ENGINEER OF RECORD.
5. SYSTEM DESIGN SHALL BE PERMITTED BY APPLICABLE AUTHORITIES PRIOR TO INSTALLATION.
6. CONTRACTOR SHALL BE RESPONSIBLE FOR REPAIRING ALL CONSTRUCTION DAMAGE EXPEDITIOUSLY AND AT NO ADDITIONAL COST TO THE OWNER.
7. ALL TANKS SHALL HAVE A MINIMUM 28-DAY CONCRETE STRENGTH OF 4500 PSI.
8. TANKS SHALL MEET REINFORCING REQUIREMENTS TO ACCOMMODATE 300 POUNDS PER SQUARE FOOT, EITHER STEEL REINFORCING WIRE, REBAR OR APPROVED FIBER MAY BE USED.
9. ALL TANKS AND EFFLUENT FILTERS SHALL BE APPROVED BY E-Z-TREAT AND ONE-SITE MASTER/TER EFFLUENT FILTERS SHALL BE APPROVED BY E-Z-TREAT AND ENDS DOWN TO 50-PERCENT OF LIQUID LEVEL.
10. ALL JOINTS (AND-SEAL, TOP-SEAL) SHALL BE SEALED OR EQUAL.
11. TANKS SHALL BE LEAK-TESTED PRIOR TO SYSTEM START UP IN ACCORDANCE WITH ASTM STANDARDS AND AS REQUIRED BY LOCAL REGULATORY AUTHORITY.
12. ALL PIPE PENETRATIONS THROUGH PRECAST CONCRETE TANKS SHALL BE PRESS-SEAL CAST--A-SEAL 402 RUBBER BOOTS OR EQUAL.
13. THE FILTER POD INVERT OUT SHALL BE 1/4-INCH PER FOOT SLOPE MINIMUM.
14. ALL TANKS MUST MEET STATE OR LOCAL CODES.
15. U.V. SHALL BE INSTALLED AS REQUIRED BY LOCAL AND STATE CODE.

E-2 ULTRAVIOLET DISINFECTION UNIT

- NOTES:
1. ULTRAVIOLET LIGHT AS BUILT UNIT AS DESCRIBED IN DETAIL.
 2. OPERATION OF UV LIGHT PER SITE REQUIREMENTS.



ENGINEER

PROJECT

CITY

COUNTY/ADDRESS

ADDRESS

P.O. BOX 176
HAYMARKET, VA 20168
PH. 703.763.4770
web: eztretrat.net

DESIGN

DRAWN

APPROVED

SYSTEM CONFIGURATION

E-Z TREAT SYSTEM
THREE MODEL 600 PODS,
THREE TANK SIMPLEX
DESIGN
SEP. RECIRC. AND DOSE TANKS
PLAN AND SECTIONS

SHEET 1 OF 1

DWG NO. D121