

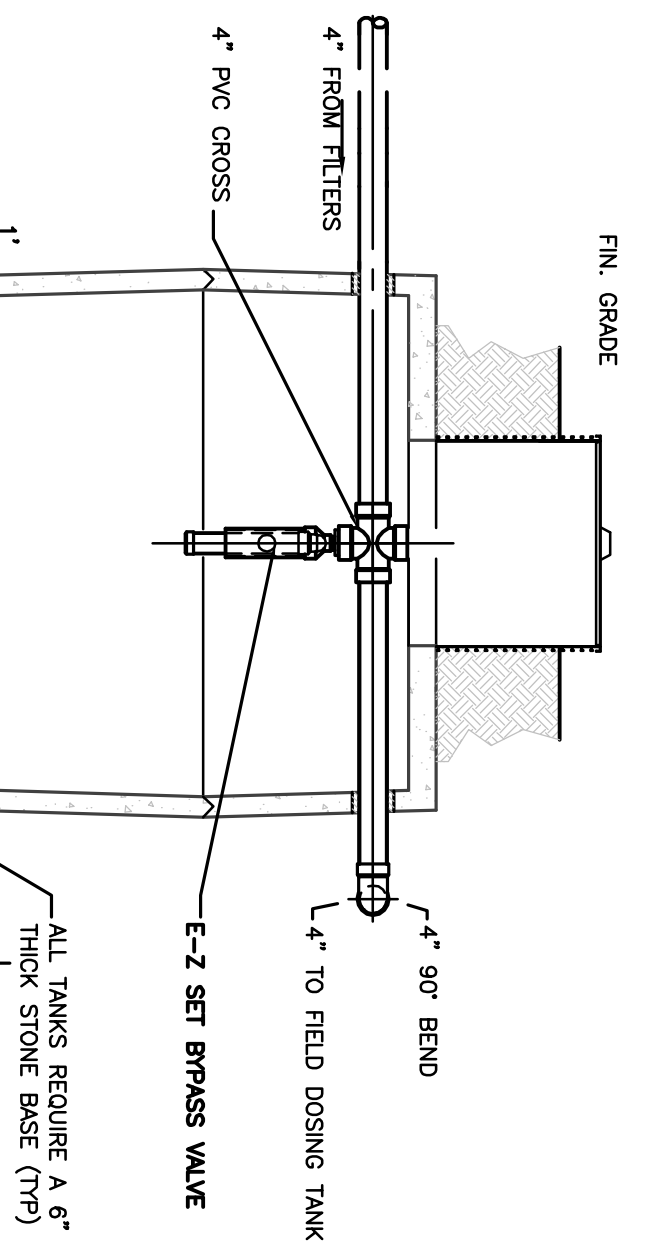
ENGINEER



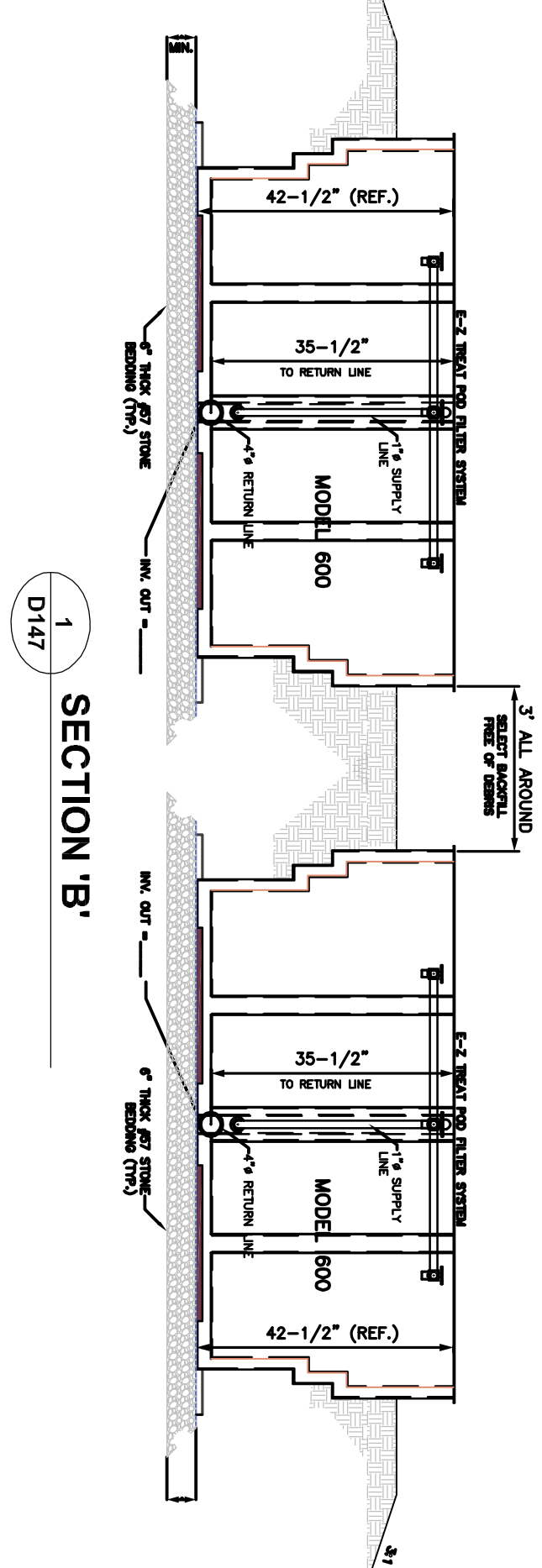
NOTICE: UNDERGROUND UTILITIES LOCATIONS PRIOR TO ANY EXCAVATION. CONTRACTOR IS RESPONSIBLE FOR COORDINATION OF CONTRACTOR'S RESPONSIBILITY FOR FIELD VERIFYING ALL DIMENSIONS, ELEVATIONS, AND LOCATION OF ALL EXISTING CONDITIONS AND UTILITIES.

**GENERAL NOTES:**

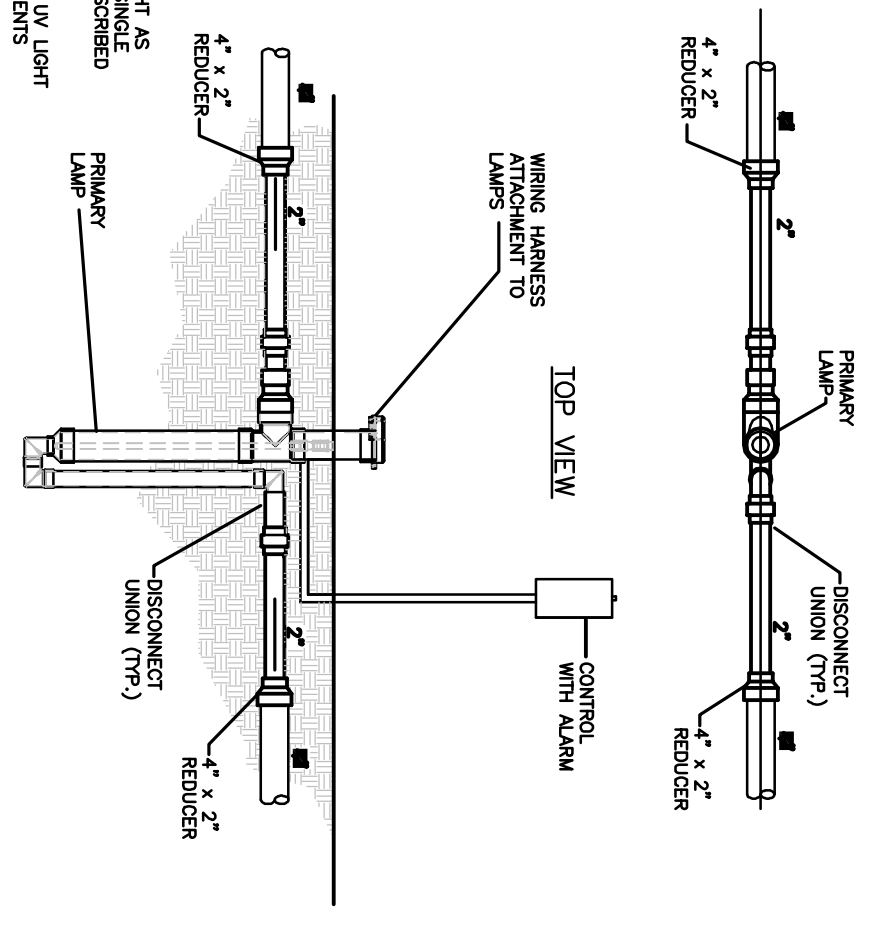
1. ALL PIPING SHALL BE SCH. 40 PVC UNLESS OTHERWISE NOTED ON PLANS. ALL PVC PIPES SHALL BE BURIED A MINIMUM OF 18" UNLESS SHOWN OTHERWISE.
2. CONTRACTOR SHALL COMPLY WITH ALL APPLICABLE SOIL EROSION AND SEDIMENTATION CONTROL REQUIREMENTS.
3. CONTRACTOR SHALL COMPLY WITH ALL APPLICABLE OSHA, and OTHER RELATED SAFETY REQUIREMENTS.
4. CONTRACTOR SHALL COMPLY WITH ALL APPLICABLE FEDERAL, STATE, COUNTY, AND LOCAL REGULATIONS, IN EVENT OF DISCREPANCY, CONSULT MANUFACTURERS AND E-Z-TREAT, INC. AND ENGINEER OF RECORD.
5. SYSTEM DESIGN SHALL BE REPERTURED BY APPLICABLE AUTHORITIES PRIOR TO INSTALLATION.
6. CONTRACTOR SHALL BE RESPONSIBLE FOR REPAIRING ALL DAMAGE TO EXISTING UTILITIES AND STRUCTURES AT AN ADDITIONAL COST TO THE OWNER.
7. ALL TANKS SHALL HAVE A MINIMUM 28-DAY CONCRETE STRENGTH OF 4500 PSI.
8. TANKS SHALL MEET REINFORCING REQUIREMENTS TO PREVENT CRACKING. REINFORCING SHALL BE E-2 STEEL REINFORCING W/RE. REBAR OR APPROVED FIBER MAY BE USED.
9. ALL TANKS AND EFFLUENT FILTERS SHALL BE APPROVED BY E-Z-TREAT AND ON-SITE WASTEWATER EFFLUENT FILTERS SHALL BE SIZED FOR DESIGN FLOW AND EXTEND DOWN TO 5% FLOW RATE OF DESIGN FLOW.
10. ALL JOINTS (MID-SEAM, TOP-SEAM) SHALL BE SEALED EQUAL CONCRETE SEALANTS BOTH SEALANT # CS-102 OR EQUAL.
11. TANKS SHALL BE LEAK-TESTED PRIOR TO SYSTEM START UP. ALL JOINTS SHALL BE RESEALED AS REQUIRED BY LOCAL REGULATORY AUTHORITY.
12. ALL PIPE PENETRATIONS THROUGH PRECAST CONCRETE BOOTHS OR EQUAL.
13. THE FILTER POD INVERT OUT SHALL BE 1/4-INCH PER FOOT SLOPE MINIMUM.
14. ALL TANKS MUST MEET STATE OR LOCAL CODES.
15. U.V. SHALL BE INSTALLED AS REQUIRED BY LOCAL AND STATE CODE.



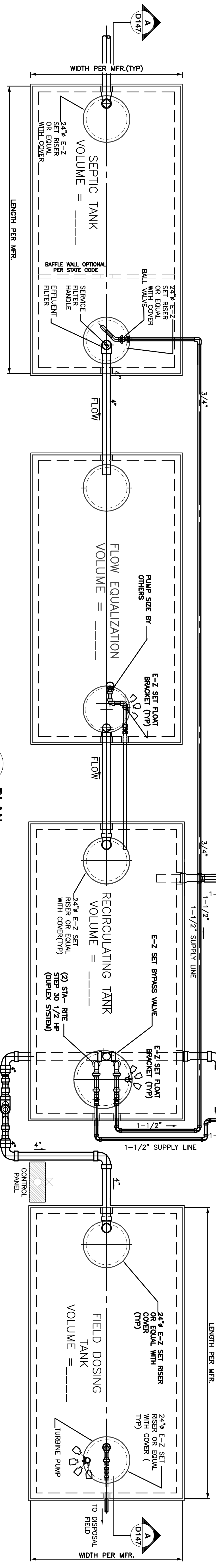
SECTION 'C'  
NTS



SECTION 'B'  
D147

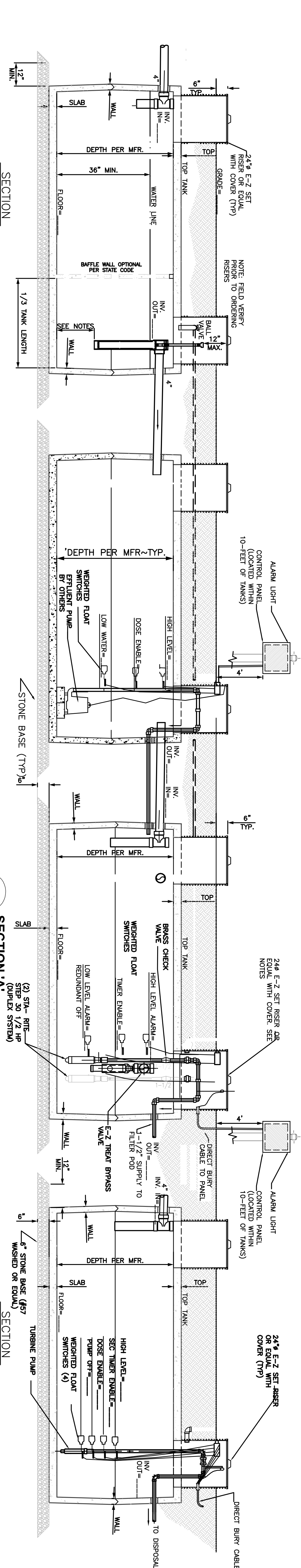


ULTRAVIOLET DISINFECTION UNIT  
D-107 NTS



PLAN  
D147 NTS

PLAN  
D147 NTS



SECTION 'A'  
NTS

SECTION  
D147

**PROJECT**

CITY \_\_\_\_\_

COUNTY \_\_\_\_\_

ADDRESS \_\_\_\_\_

P. O. BOX 176  
HAYMARKET, VA 20168  
PH. 703.763.4770  
web: eztreath.net

**DESIGN**

**DRAWN**

**APPROVED**

**SYSTEM CONFIGURATION**

**E-Z-TREAT SYSTEM**

**TWO MODEL 600 PODS,**

**FOUR TANK INDEPENDENT**

**PUMP DUPLEX DESIGN**

**SEP. RECIRC. AND DOSE TANKS**

**PLAN AND SECTIONS**