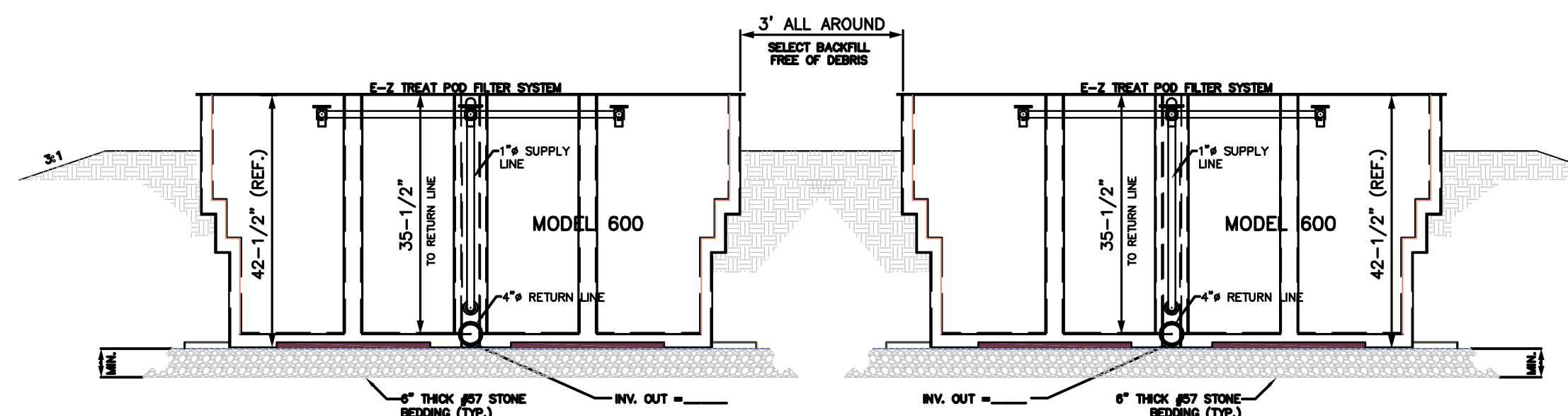




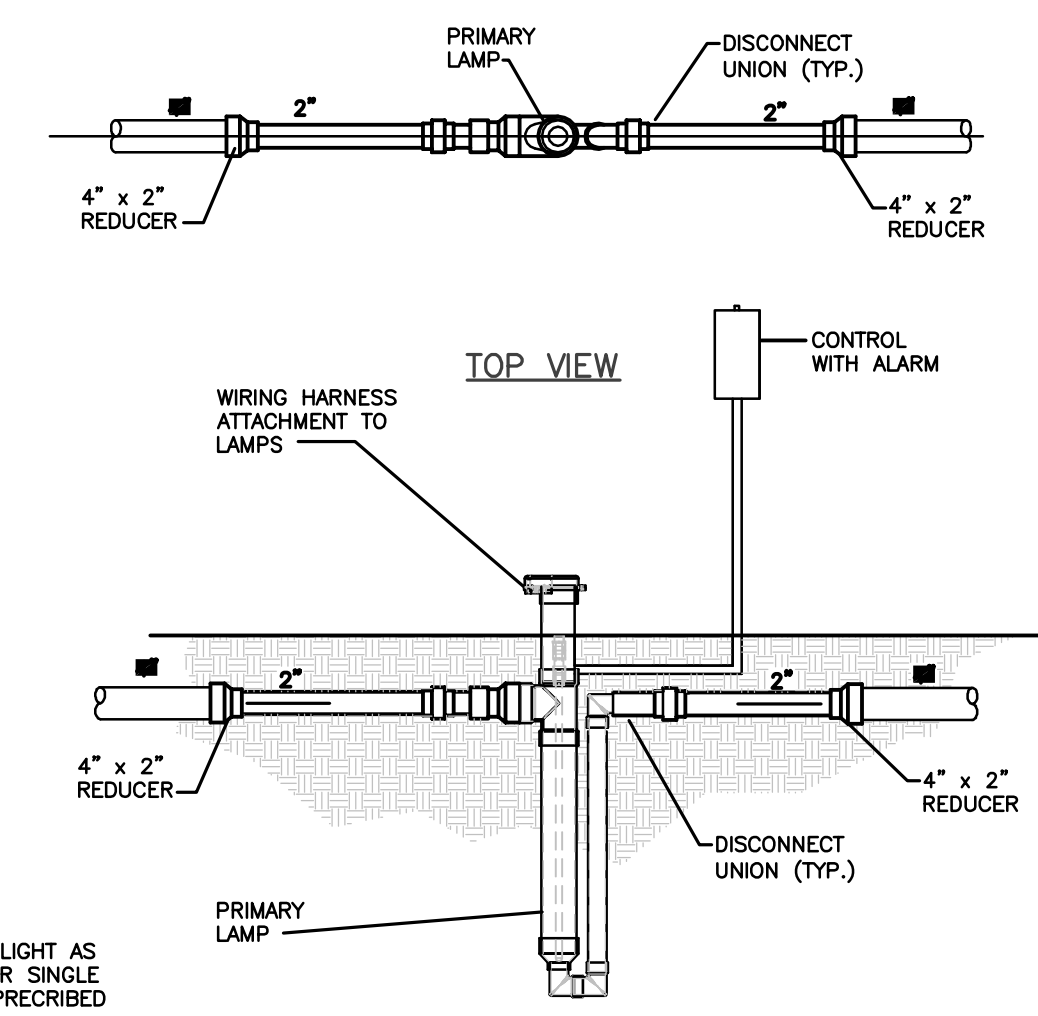
NOTIFY UNDERGROUND UTILITIES LOCATOR PRIOR TO ANY EXCAVATION. CONTRACTOR IS RESPONSIBLE FOR COORDINATION OF ALL TRADES AND SUBCONTRACTORS. CONTRACTOR IS RESPONSIBLE FOR FIELD VERIFYING ALL DIMENSIONS, ELEVATIONS, AND LOCATION OF ALL EXISTING CONDITIONS AND UTILITIES.

**GENERAL NOTES:**

1. ALL PIPING SHALL BE SCH 40 PVC UNLESS OTHERWISE NOTED ON PLANS. ALL PVC PIPES SHALL BE BURIED A MINIMUM OF 18" UNLESS SHOWN OTHERWISE.
2. CONTRACTOR SHALL COMPLY WITH ALL APPLICABLE SOIL EROSION AND SEDIMENTATION CONTROL REQUIREMENTS.
3. CONTRACTOR SHALL COMPLY WITH ALL APPLICABLE OSHA, AND OTHER RELATED SAFETY REQUIREMENTS.
4. CONTRACTOR SHALL COMPLY WITH ALL APPLICABLE FEDERAL, STATE, COUNTY, AND LOCAL REGULATIONS. IN EVENT OF DISCREPANCY CONSULT MANUFACTURER AND ENGINEER OF RECORD. FAILURE TO DO SO Voids LIABILITY OF E-Z-TREAT INC. AND ENGINEER OF RECORD.
5. SYSTEM DESIGN SHALL BE PERMITTED BY APPLICABLE AUTHORITIES PRIOR TO INSTALLATION.
6. CONTRACTOR SHALL BE RESPONSIBLE FOR REPAIRING ALL CONSTRUCTION DAMAGE EXPEDITIOUSLY AND AT NO ADDITIONAL COST TO THE OWNER.
7. ALL TANKS SHALL HAVE A MINIMUM 28-DAY CONCRETE STRENGTH OF 4500 PSI.
8. TANKS SHALL MEET REINFORCING REQUIREMENTS TO ACCOMMODATE 300 POUNDS PER SQUARE FOOT. EITHER STEEL REINFORCING WIRE, REBAR OR APPROVED FIBER MAY BE USED.
9. ALL TANKS AND EFFLUENT FILTERS SHALL BE APPROVED BY E-Z TREAT AND ON-SITE WASTEWATER. EFFLUENT FILTERS SHALL BE SIZED FOR DESIGN FLOW AND EXTEND DOWN TO 50-PERCENT OF LIQUID LEVEL.
10. ALL JOINTS (MID-SEAM, TOP-SEAM) SHALL BE SEALED USING CONCRETE SEALANTS BUTYL SEALANT # CS-102 OR EQUAL.
11. TANKS SHALL BE LEAK-TESTED PRIOR TO SYSTEM START UP IN ACCORDANCE WITH ASTM STANDARDS AND AS REQUIRED BY LOCAL REGULATORY AUTHORITY.
12. ALL PIPE PENETRATIONS THROUGH PRECAST CONCRETE TANKS SHALL BE PRESS-SEAL CAST-A-SEAL 402 RUBBER BOOTS OR EQUAL.
13. THE FILTER POD INVERT OUT SHALL BE 1/4-INCH PER FOOT SLOPE MINIMUM.
14. ALL TANKS MUST MEET STATE OR LOCAL CODES.
15. U.V. SHALL BE INSTALLED AS REQUIRED BY LOCAL AND STATE CODE.

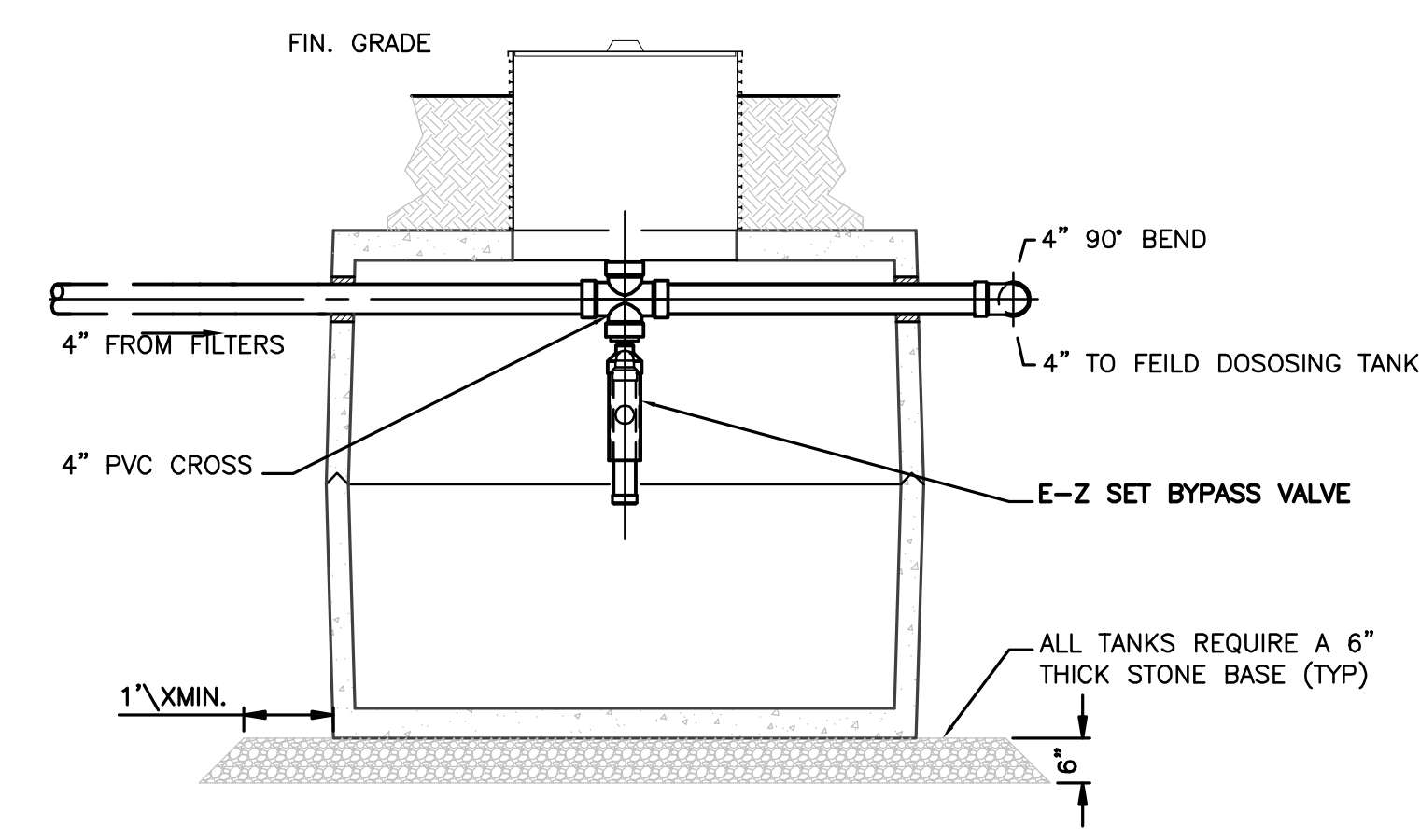


**B**  
SECTION 'B'  
D148

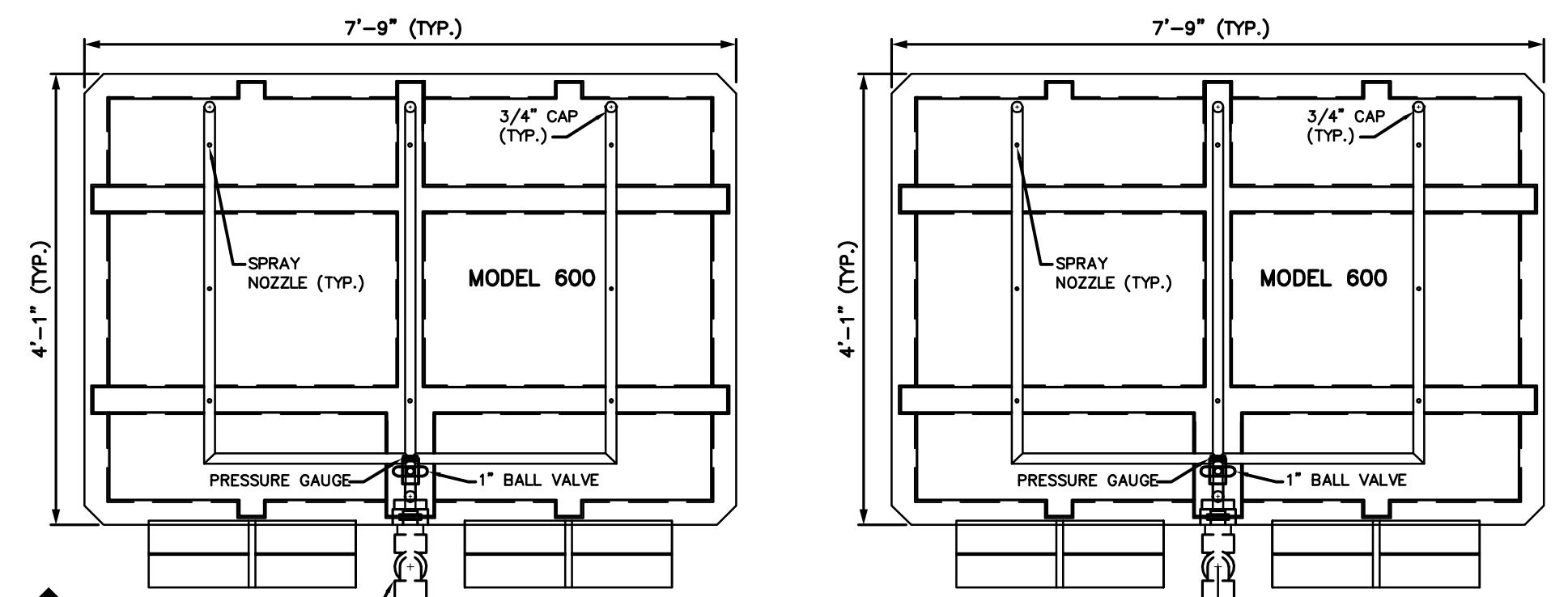


**E**  
ULTRAVIOLET DISINFECTION UNIT  
D148 NTS

- NOTES:
1. ULTRAVIOLET LIGHT AS NEEDED DUAL OR SINGLE BULB UNIT AS PRESCRIBED IN DETAIL.
  2. ORIENTATION OF UV LIGHT PER SITE REQUIREMENTS.

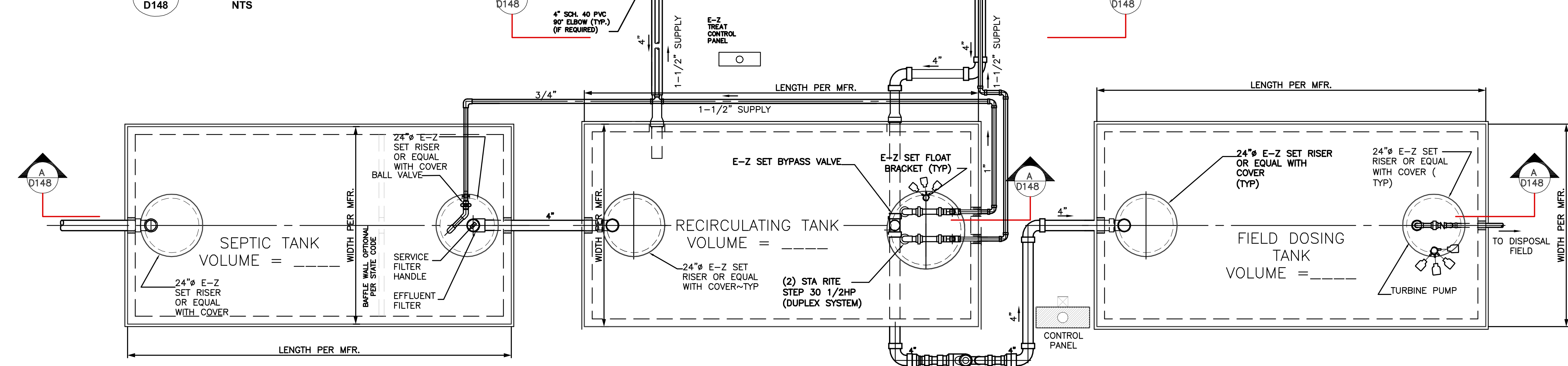


**C**  
SECTION 'C'  
D148 NTS



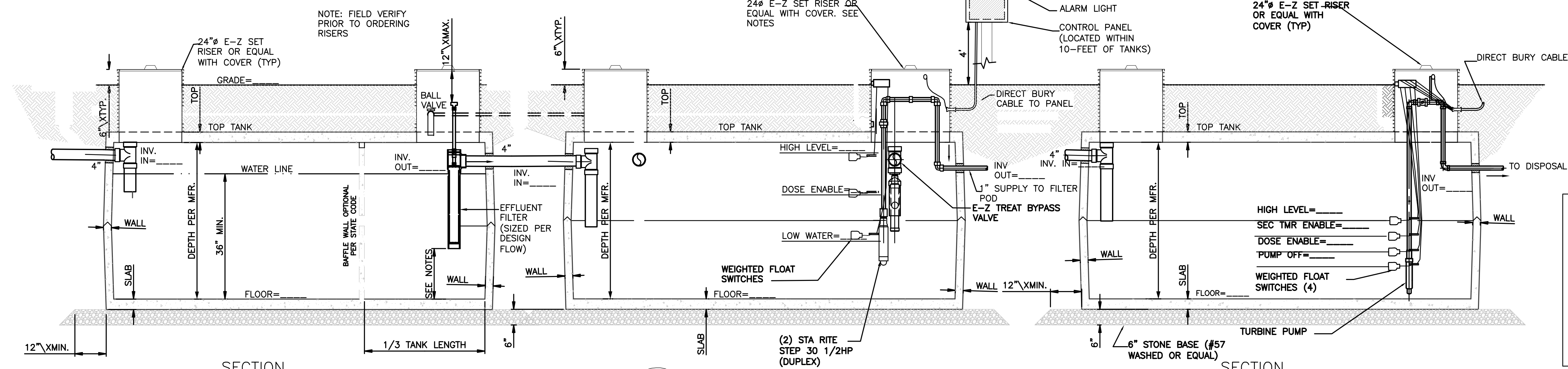
**B**  
D148

**B**  
D148



**1**  
PLAN  
D148 NTS

PLAN



**A**  
SECTION 'A'  
D148 NTS

SECTION

SECTION

PROJECT  
  
CITY  
COUNTY  
ADDRESS

P.O. BOX 176  
HAYMARKET, VA 20168  
PH. 703.763.4770  
web: eztreat.net

DESIGN  
DRAWN  
APPROVED

SYSTEM CONFIGURATION  
**E-Z TREAT SYSTEM**  
**TWO MODEL 600 PODS,**  
**THREE TANK**  
**INDEPENDENT PUMP**  
**DUPLEX DESIGN**  
**SEP. RECIRC. AND DOSE TANKS**  
**PLAN AND SECTIONS**

SHEET **1** OF **1**

DWG NO. D148-INDP

ENGINEER